



# HAMILTON

Hamilton Manufacturing Corp.  
1026 Hamilton Dr., Holland, OH 43528  
Phone: 419-867-4858/800-837-5561 • Fax 419-867-4857 • [www.hamiltonmfg.com](http://www.hamiltonmfg.com)

## Coin Entry Unit Installation Manual

# ABOUT THIS MANUAL

---

**PLEASE READ THIS MANUAL CAREFULLY PRIOR TO INSTALLING THIS UNIT.  
A complete understanding of the operation of this unit is essential for a successful installation.  
Refer to the Table of Contents for easy navigation through this manual.**

This manual will provide the operator with important information about installing and maintaining the Coin Entry Unit. General information is provided for the Coin Mechanism. To obtain assistance from the manufacturer, please call (800) 837-5561 or (419) 867-4858.

When calling for assistance, it is very important to have serial numbers readily available. Please record these numbers in the spaces provided.

Coin Entry Unit Serial # \_\_\_\_\_

Microcoin QL coin mechanism Serial # \_\_\_\_\_

Key/Lock # \_\_\_\_\_

Please complete the warranty card, which was included with your unit, and return it to the manufacturer.

# CONTENTS

<b>ABOUT THIS MANUAL</b> .....	<b>2</b>
<b>I. INTRODUCTION</b> .....	<b>4</b>
<b>II. SPECIFICATIONS</b> .....	<b>5</b>
<b>III. INSTALLATION</b> .....	<b>6</b>
Electrical .....	7
Top View.....	8
Side View.....	9
<b>IV. PROGRAMMING</b> .....	<b>10</b>
Troubleshooting.....	11
<b>V. OPERATION</b> .....	<b>12</b>
<b>VI. PARTS</b> .....	<b>13</b>
<b>LIMITED WARRANTY AGREEMENT OF HAMILTON MANUFACTURING CORP.</b> .....	<b>14</b>

# I. Introduction

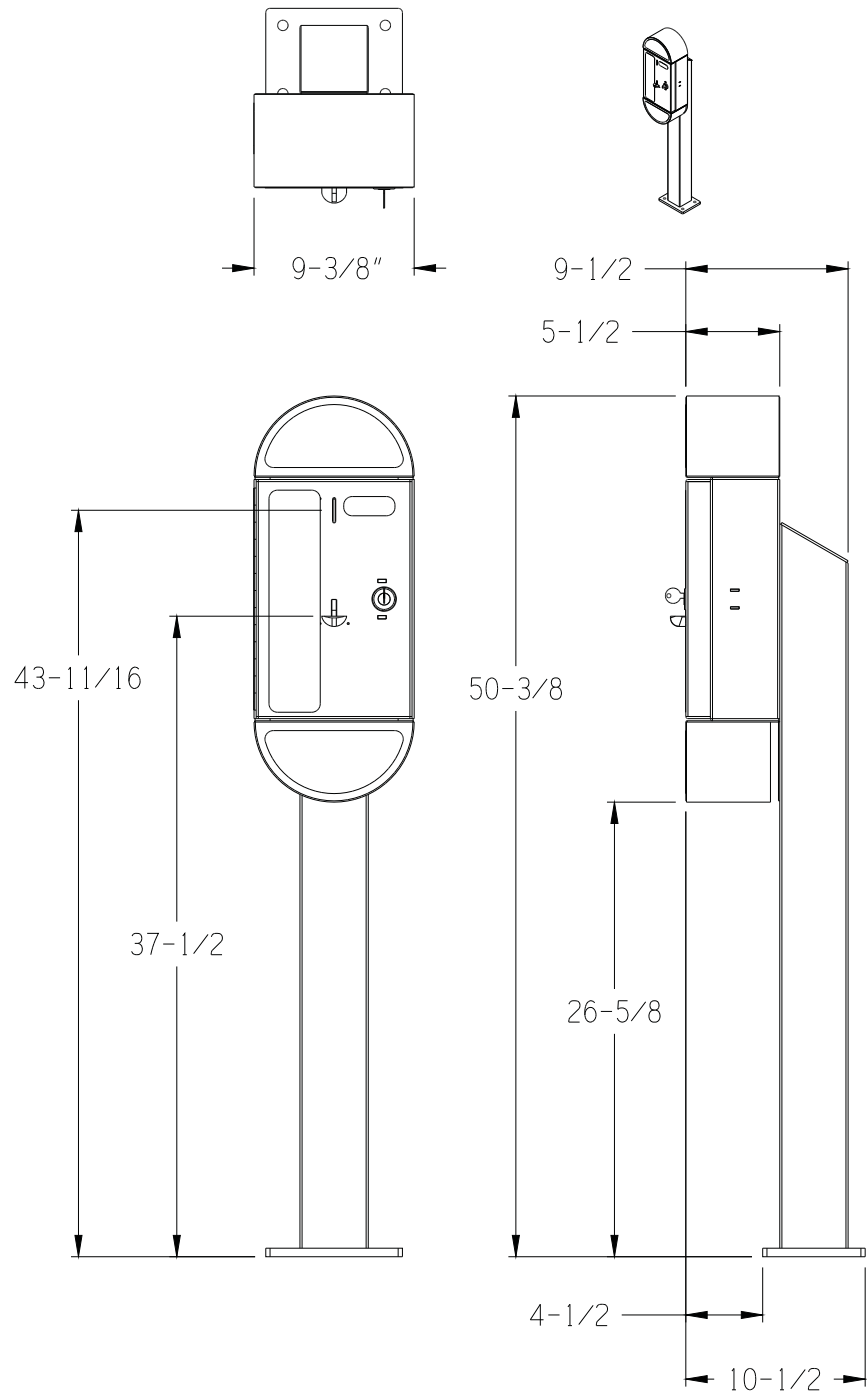
---

This manual is to assist an installer in properly setting up the Coin Entry Unit (CEU). This manual provides mechanical and electrical information and diagrams to provide the necessary information for proper installation.

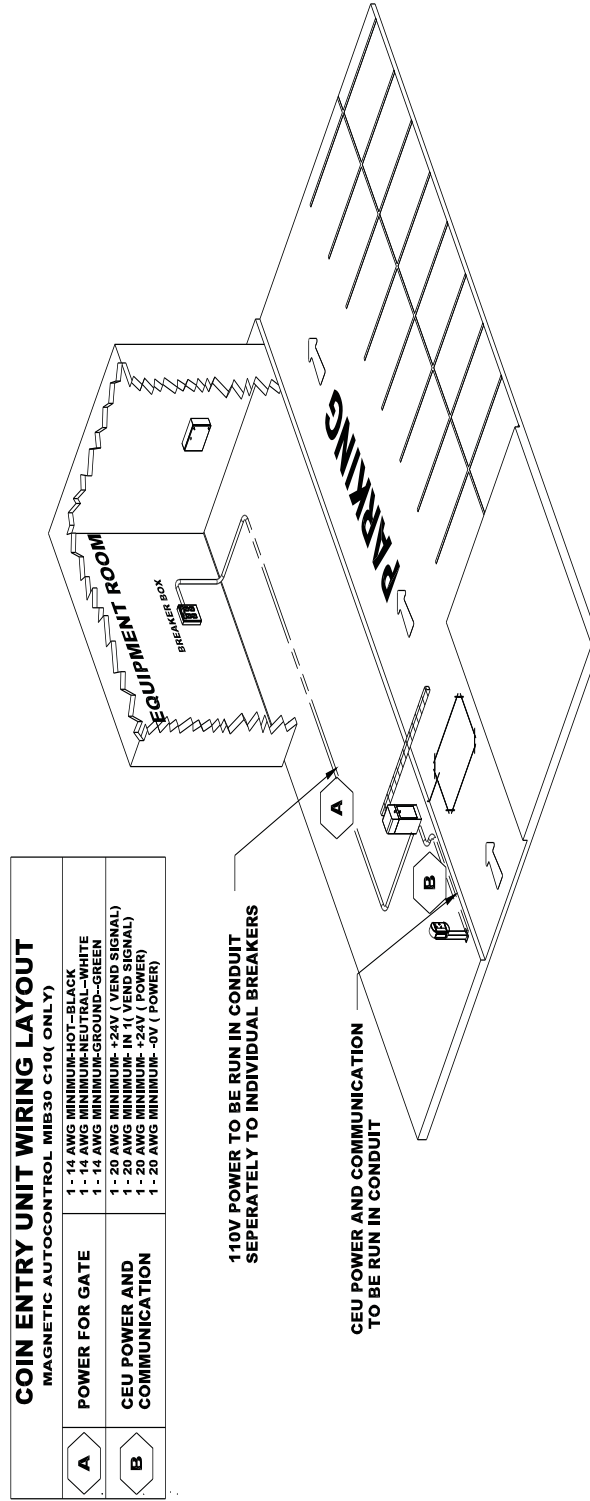
Note: This manual provides information that displays a Coin Entry Unit connecting to a MIB30 Magnetic Autocontrol Gate. Other models of manufactured gates can be used with the CEU. Please refer to the Electrical section of the manual (page 7).

# II. Specifications

---



# III. INSTALLATION



# Electrical

The Coin Entry Unit uses either 24vac or 24vdc power to operate.

If the Coin Entry Unit is connected to a MIB30 Magnetic Autocontrol gate you can use the +24v source from the gate. If you are not using the MIB30 Magnetic Autocontrol gate then an external source will be required to power the Coin Entry Unit.

To operate the gate three wires will need to be pulled to the gate for power. Hot, Neutral and Ground.

From the gate two wires will be pulled for the “Vend Signal”

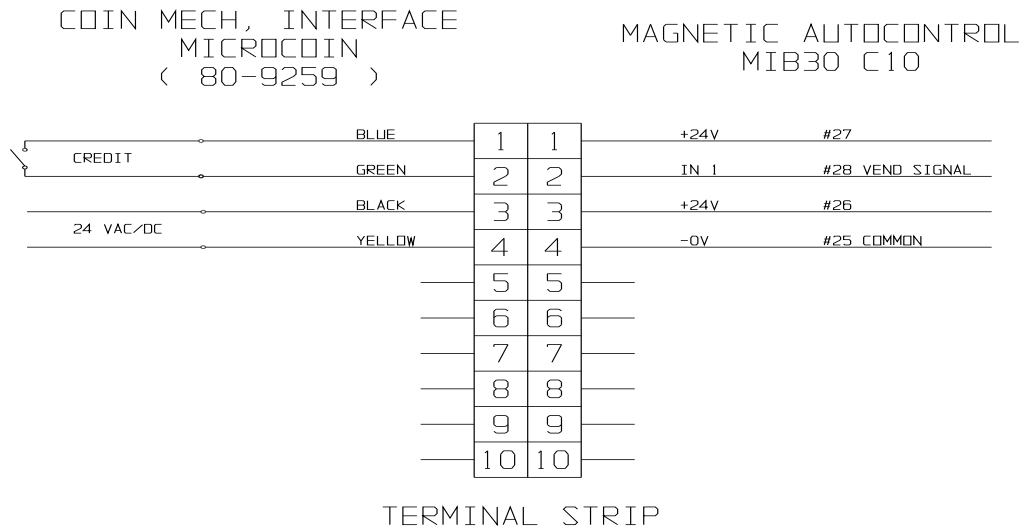
If the 24v power is coming from the gate then two more wires will have to be pulled along with the gate up wires to the Coin Entry Unit.

Two wires coming from the gate are for the “Vend Signal”. One will supply +24v and the other will be the Vend Signal. (Input Signal)

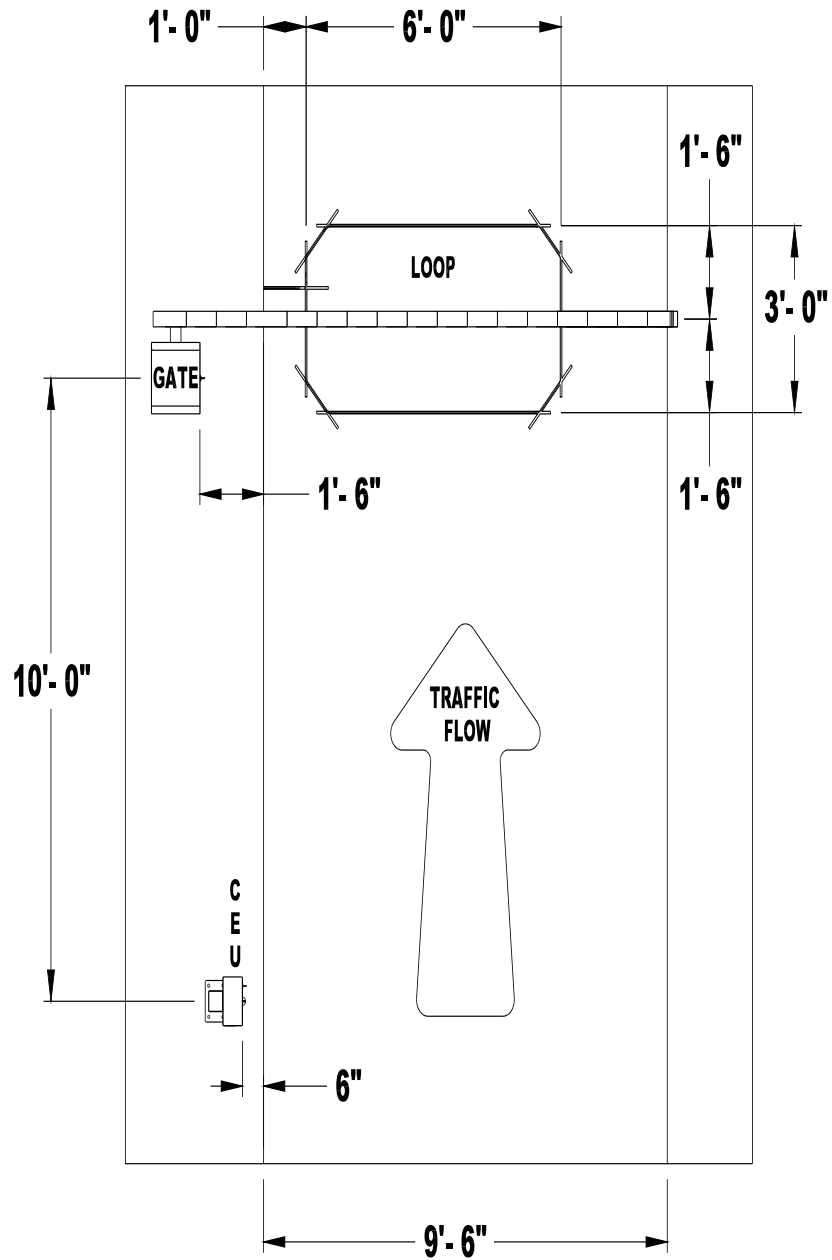
The other two wires coming from the gate or the external power supply are for power. One wire will supply either 24v AC or DC and the other is common.

**Note:** Refer to the diagram below to for proper connection inside the Coin Entry Unit.

**Do not forget that a loop will need to be attached to the gate for safety. If connecting a loop to the MIB30 the wire will be connected on position 39 and 40 of the PLC.**

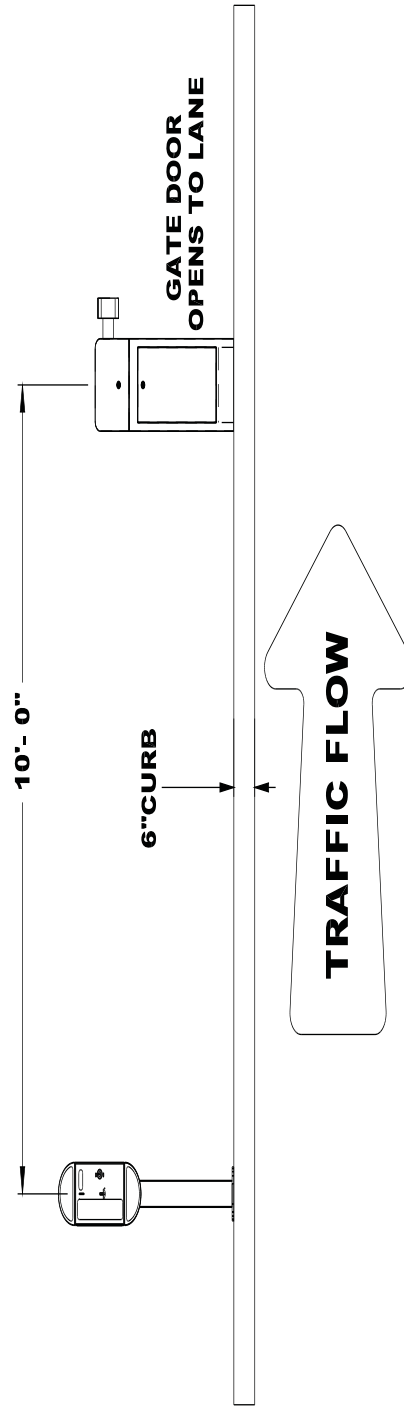


# Top View





# Side View



# IV. Programming

---

Note: Do Not Program Nickels, Dimes, Quarters or Dollar Coins. They are preprogrammed on lines 7-12 . In addition they can be turned on or off infinitely depending on owners preference.

**Warning: The default target price is \$0.25. If this Unit is to accept a combination of coins and tokens or requires a different target price than \$0.25 please contact the Hamilton Customer Service Department.**

## Programming the Microcoin QL Coin Mechanism

Note: Preprogrammed coins should not be programmed a second time. In addition programmed coins can be turned on/off without having to re-programming the coin. To turn on/off coin use Enable or Disable feature. (Refer to sections Enable or Disable). The Indicator light can display three different colors of lights; Green, Yellow or Red depending on status.

1. Press Button on coin mech 3 times rapidly. The indicator light will display a yellow flashing light. The LED Display will display a number “1” to represent the category number “1”.
2. Pressing the Button on the coin mech a second time will program the coin to the next category number. This can be done up to category 5.
3. When the appropriate category is displayed on the LED, drop 10 different samples of the same coin through the coin mech.
4. Once the 10th coin has been dropped through the Indicator light will turn to solid yellow.
5. Press the Button once. The LED will read “0”. This indicates the default value.
6. **Default programming is one token = \$0.25 to open the gate.** Press the Button one time for every \$0.25 increment the token is worth. Example: Pressing the button 4 times gives the token a \$1.00 value. Pressing the Button 6 times and the LED will display “6” which equals the value of \$1.50 Note: You can program up to a value of \$2.50 which is pressing the button 10 times.
7. Once the appropriate value is assigned to the coin, press and hold the Button for a full 2 seconds.
8. When the Button is released the Indicator light will display a solid green light.
9. Test the coin mech. When complete, please note the token and value on the side of the coin mech.

## **Disable**

Disable is used to disable a coin temporarily or for long periods of time.

1. Press Button twice rapidly, Indicator light will flash red.
2. Drop 1 coin in of the coin type that is going to be disabled. Indicator light will display a solid green light.

## **Enable**

Enable is used to reactive a coin, not required for programming.

1. Press Button 1 time, Indicator light will flash green.
2. Drop 1 coin in of the coin type that is going to be enabled. The Indicator light will display a solid green light.

## Troubleshooting

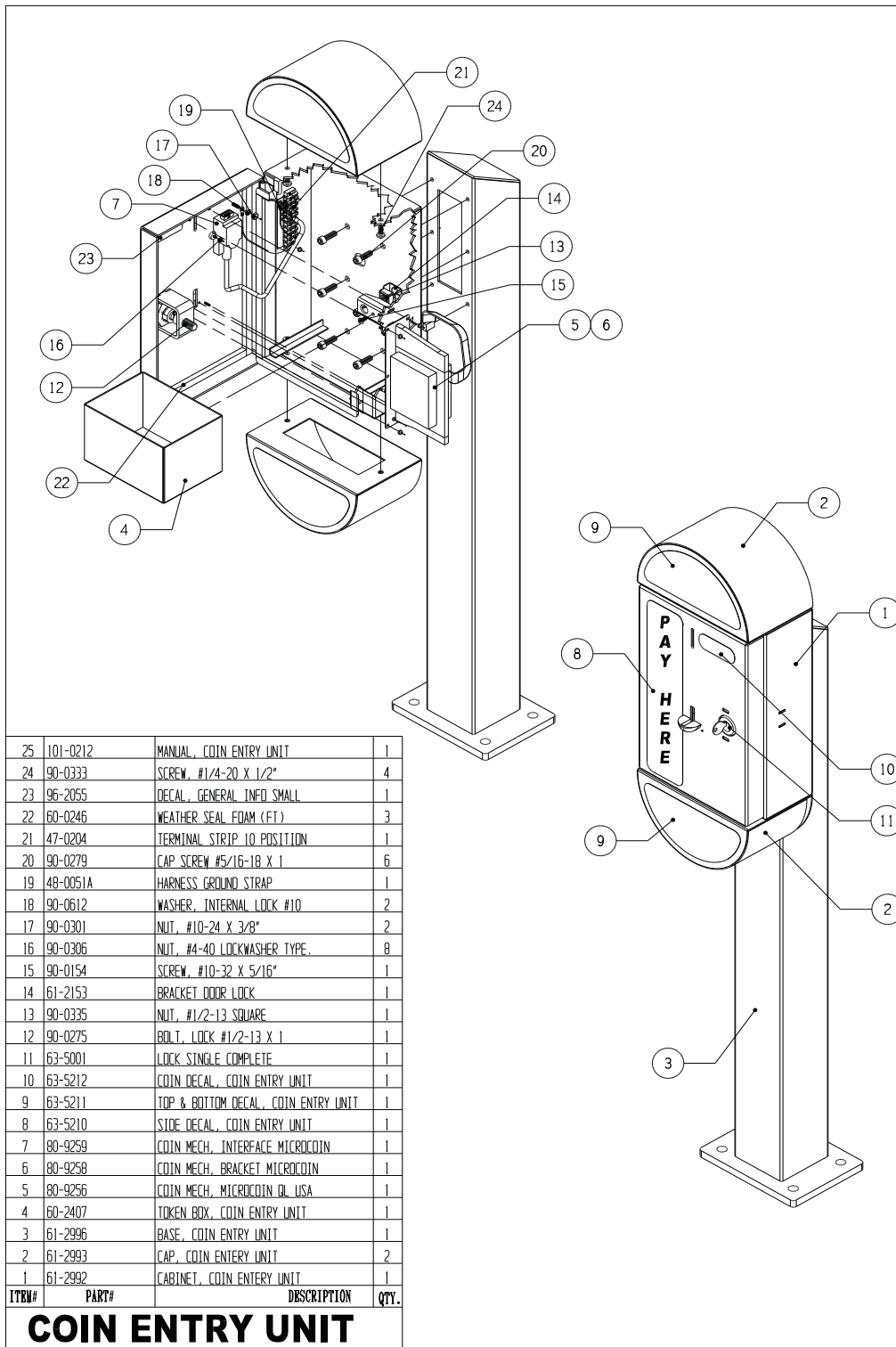
PROBLEM	POSSIBLE CAUSE	ACTION
All Coins Rejecting	No Power, No indicator light, Low voltage, Water in coin path, Programmed mode interrupted	Check incoming voltage., Monitor voltage, Allow to dry, Return to programming mode and follow guide to reprogram most recent coin , (if this mode has been started and not com- pleted all coins will reject.
One Coin Rejecting	Coin disabled Not Programmed Slightly different coin “Look Alike” Coin	Enable coin Program coin Reprogram coin using 10 dif- ferent samples Coins are actually different and can be accepted by program- ming an additional category
Coin Jam	Full coin box Coin Mech offset Coin path obstructed	Empty coin box and coin mech Realign coin mech in bracket Remove object from coin path

## V. Operation

---

Once the Coin Entry Unit has been installed and the Microcoin coin mech has been properly programmed, this unit provides for the ability to accept a token or token/coins to raise a gate. The anticipated application is to place this unit and a gate at the entrance or exit of a parking structure or lot. This allows an individual to sell tokens to his or her customers to allow them to park at the parking structure or parking lot.

# VI. Parts



LIMITED WARRANTY AGREEMENT  
OF HAMILTON MANUFACTURING CORP.

---

Hamilton Manufacturing Corp., an Ohio Corporation, (“Seller”) warrants to Purchaser that all new equipment shall be free from defects in material and factory workmanship for a period of one (1) year from the original shipping date. Hamilton Manufacturing Corp. further warrants if any part of said new equipment in Seller’s sole opinion, requires replacement or repair due to a defect in material or factory workmanship during said period, Seller will repair or replace said new equipment. Purchaser’s remedies and the liabilities and obligations of Seller herein shall be limited to repair or replacement of the equipment as Seller may choose, and Seller’s obligation to remedy such defects shall not exceed the Purchaser’s original cost for the equipment. Purchaser EXPRESSLY AGREES this is the EXCLUSIVE REMEDY under this warranty. There are no other express or implied warranties which extend beyond the face hereof. All warranty repair service must be performed by either a Factory Trained Service Representative or **HAMILTON MANUFACTURING CORP., 1026 Hamilton Drive, Holland, Ohio 43528 PHONE (419) 867-4858 or (800) 837-5561, FAX (419) 867-4867.**

The limited warranty for new equipment is conditioned upon the following:

1. The subject equipment has not, in the Seller’s sole opinion, been subjected to: accident, abuse, misuse, vandalism, civil disobedience, riots, acts of God, natural disaster, acts of war or terrorism.
2. The Seller shall not be liable for any expense incurred by Purchaser incidental to the repair or replacement of equipment and Purchaser shall assume full responsibility for any freight or shipping charges.
3. The coverage of this warranty shall not extend to expendable parts.
4. Purchaser shall have a warranty registration card on file with Seller prior to any claim in order for warranty protection to apply.
5. No warranty coverage is applicable to any equipment used for currency other than that specified at the time of the purchase.
6. Seller expressly disclaims any warranty that counterfeit currency will not activate said equipment.
7. Seller expressly disclaims any warranty for any losses due to bill manipulation or theft or loss of cash under any circumstances.
8. Use of the equipment for anything other than its intended and designed use will void the Limited Warranty Agreement. Use of equipment for anything other than its intended and designed use includes, but is not limited to, downloading software/applications not certified by Seller such as e-mail, spyware, screen savers, viruses, worms, third party software, web search engines, cookies, spam, desktop applications, games, web surfing, etc.

Seller further warrants all repair or service work performed by a factory trained representative or Hamilton Manufacturing Corp. for a period of ninety (90) days from the date the repair or service work was performed. Purchaser’s remedies and the liabilities and obligations of Seller herein shall be limited to repair or replacement of equipment as Seller may choose, and Seller’s obligation to remedy such defects shall not exceed the Purchaser’s depreciated value of the equipment. Purchaser EXPRESSLY AGREES this is an EXCLUSIVE REMEDY under this warranty. There are no other express or implied warranties on repair or service work performed by a factory trained representative or Hamilton Manufacturing Corp. which extend beyond the face hereof.

The limited warranty for repair and service work is conditioned upon the following:

1. The subject equipment has not, in the Seller's sole opinion, been subjected to: accident, abuse, misuse, vandalism, civil disobedience, riots, acts of God, natural disaster, acts of war or terrorism.
2. The Seller shall not be liable for any expense incurred by Purchaser incidental to the repair or replacement of equipment and Purchaser shall assume full responsibility for any freight or shipping charges.
3. The coverage of this warranty shall not extend to expendable parts.
4. Purchaser shall have a warranty registration card on file with Seller prior to any claim in order for warranty protection to apply.
5. No warranty coverage is applicable to any equipment used for currency other than that specified at the time of the purchase.
6. Seller expressly disclaims any warranty that counterfeit currency will not activate said equipment.
7. Seller expressly disclaims any warranty for any losses due to bill manipulation or theft or loss of cash under any circumstances.
8. No person or entity other than a factory trained representative or Hamilton Manufacturing Corp. has performed or attempted to perform the subject repair or service.
9. Using equipment which has been serviced or repaired for anything other than its intended or designed use such as downloading software applications not certified by Seller will void the Limited Warranty Agreement. This includes software/applications such as e-mail, spyware, screen savers, viruses, worms, third party software, web search engines, cookies, spam, desktop applications, games, web surfing, etc.

THIS AGREEMENT IS MADE WITH THE EXPRESS UNDERSTANDING THAT THERE ARE NO IMPLIED WARRANTIES THAT THE EQUIPMENT SHALL BE MERCHANTABLE, OR THAT THE GOODS SHALL BE FIT FOR ANY PARTICULAR PURPOSE. PURCHASER HEREBY ACKNOWLEDGES THAT IT IS NOT RELYING ON THE SELLER'S SKILL OR JUDGMENT TO SELECT OR FURNISH EQUIPMENT SUITABLE FOR ANY PARTICULAR PURPOSE AND THAT THERE ARE NO WARRANTIES WHICH EXTEND BEYOND THAT WHICH IS DESCRIBED HEREIN.

The Purchaser agrees that in no event will the Seller be liable for direct, indirect, or consequential damages or for injury resulting from any defective or nonconforming new, repaired or serviced equipment, or for any loss, damage or expense of any kind, including loss of profits, business interruption, loss of business information or other pecuniary loss arising in connection with this Limited Warranty Agreement, or with the use of, or inability to use the subject equipment regardless of Sellers knowledge of the possibility of the same.

## **Hamilton Manufacturing Corp.**

1026 Hamilton Drive  
Holland, OH 43528

**Sales Phone:** (888) 723-4858    **Sales Fax:** (419) 867-4850  
**Customer Service Phone:** (800) 837-5561    **Customer Service Fax:** (419) 867-4857  
**Parts Phone:** (866) 835-1721    **Parts Fax:** (419) 867-4867

**Website:** <http://www.hamiltonmfg.com>

**Email Addresses:**

[service@hamiltonmfg.com](mailto:service@hamiltonmfg.com)

[sales@hamiltonmfg.com](mailto:sales@hamiltonmfg.com)

[parts@hamiltonmfg.com](mailto:parts@hamiltonmfg.com)