



HAMILTON

1026 Hamilton Dr., Holland, OH 43528
Phone: 419-867-4858/800-837-5561 • Fax 419-867-4857
www.hamiltonmfg.com

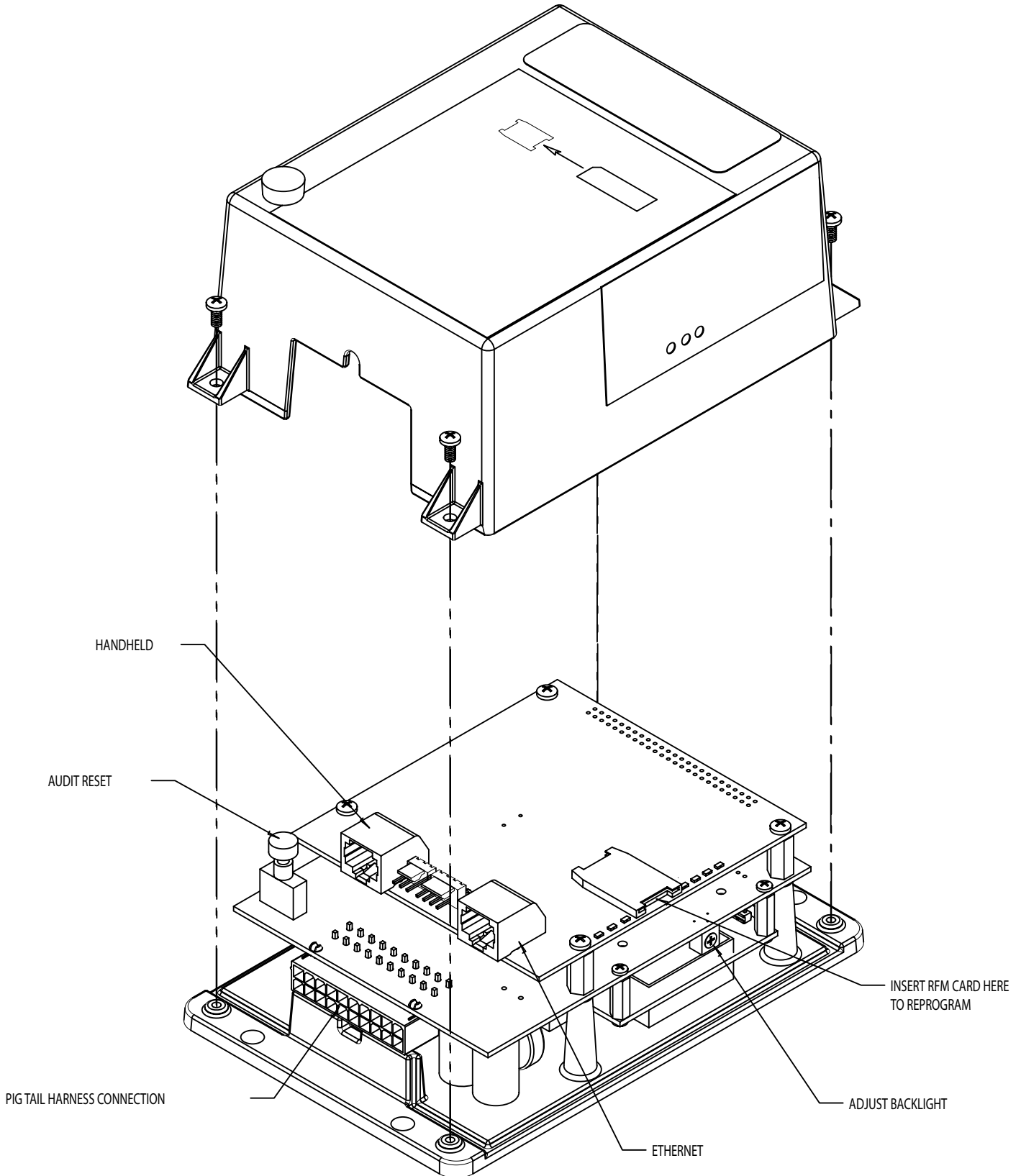
DTI / DTT Programming Manual

TABLE OF CONTENTS

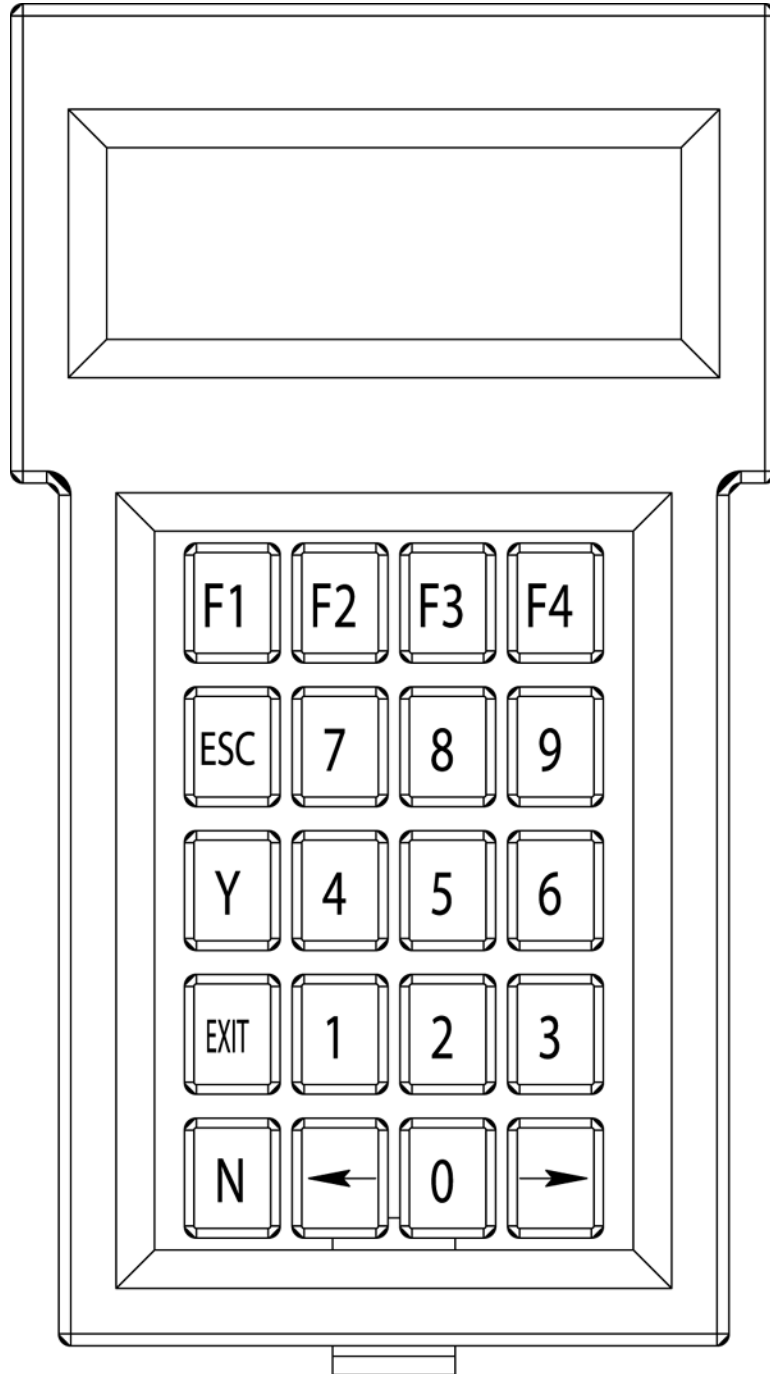
TABLE OF CONTENTS	2
DTT Connection Schematic	4
HAND-HELD	5
DTI PROGRAMMING SECTION	6
Programming	7
D.A.N TRANSACTION TERMINAL	8
Network	9
View Connection	9
Configure DHCP	10
Set DAN IP	11
Set Controller IP	12
Set Mask	13
PING	14
CONFIGURE	16
Start Amount Cash	16
Initial Time, Cash	17
Time per Quarter	18
Start Amount, Cards	19
Initial Time, Cards	20
Card Accumulation Rate	21
Card Accumulation Amount	22
Max Card Charge	24
Coin Type	26
Token 1 Value	28
Token 2 Value	30
Welcome Msg 1	32
Welcome Msg 2	34
Welcome Msg 3	34
Equipment Type	35
Validator Enable Level	37
Validator Enable	39
Set Date & Time	41
Card Timer Type	43
Offline mode	45
External Timer Protocol	47
System Payout Types	50
Timer Start Delay	53
Display Type	55

AUDITS	58
View Audits	58
Clear Resettables	60
Clear Resettable Manually	62
UPDATE	64
DTT PROGRAMMING SECTION	65
Programming	66
CONFIGURE	68
Pulse Per Dollar	68
LIMITED WARRANTY AGREEMENT OF HAMILTON MANUFACTURING CORP.	70

DTT Connection Schematic



HAND-HELD



DTI PROGRAMMING SECTION

Programming

Note: The Programming of the DTI and DTT programs are very similiar but, do have some differences. The most notable is that the “CASH” categories are only available in the DTI programming. The other difference is the category “Pulse Per Dollar” which is only available in the DTT programming.

D.A.N TRANSACTION TERMINAL

- ◆ Upon initial system power up, the first screen will display:

DTI-X vX.XX

- ◆ Next screen displays your Welcome Messages:

To Start Timer

Use Coins

- ◆ To enter into programming mode press “ESC”.
- ◆ Next screen displays:

Model: DTI-X

Version: X.XX

Sat 01/01/00 12:18 A

- ◆ Screen will automatically advance after a few seconds.
- ◆ Next screen displays:

F1 Network

F2 Configure

F3 Audits

F4 Update Exit-Quit

- ◆ Note: The screen on the controller will display:

Programming

- ◆ Note: You will be entering from both the “F” function keys and numerical keys.

Network

View Connection

- To enter into programming mode press “ESC”.
- Model, version, date and time will be displayed momentarily
- Next screen displays:

F1 Network
F2 Configure
F3 Audits
F4 Update EXIT-Quit

- Press F1 for Network.
- Next screen displays:

F1 View Connection
F2 DHCP: OFF
F3 Set DAN IP
<-- PRV ESC-BACK Nxt -->

- Press F1 for View Connection.
- Next screen displays:

DHCP OFF
Cont 192.168.001.090
Mask 255. 255. 000.000
<--PRV ESC-Back Nxt-->

- Press Nxt--> to view more connections.
- Next screen displays:

DAN 000.000.000.000
DAN Port 0
Local Port 0
<--PRV ESC-Back Nxt-->

- Press Nxt--> to view more connections.
- Next screen displays:

MAC:
00:60:35:02:49:89

<--PRV ESC-Back Nxt-->

- Press ESC twice and return to the main menu.

Configure DHCP

- **To enter into programming mode press “ESC”.**
- Model, version, date and time will be displayed momentarily.
- Next screen displays:

F1 Network
F2 Configure
F3 Audits
F4 Update EXIT-Quit

- **Press F1 for Network.**
- Next screen displays:

F1 View Connection
F2 DHCP: OFF
F3 Set DAN IP
<-- PRV ESC-BACK Nxt -->

- **Press F2 for DHCP.**
- Note: **DHCP must be OFF**. If DHCP is ON, then press F2 to turn off DHCP
- **Press ESC to return to main menu.**

Set DAN IP

- **To enter into programming mode press “ESC”.**
- Model, version, date and time will be displayed momentarily.
- Next screen displays:

F1 Network
F2 Configure
F3 Audits
F4 Update EXIT-Quit

- **Press F1 for Network.**
- Next screen displays:

F1 View Connection
F2 DHCP: OFF
F3 Set DAN IP
<-- PRV ESC-BACK Nxt -->

- **Press F3 to set DAN IP.**
- Next screen displays:

SET DAN IP
192.168.001.011

ESC Back

- **Using the numeric key pad input the appropriate NUMERIC value. Left and right arrow keys may be used to expedite the entry.**
- **Press ESC to save entry. This will return you to the previous menu.**
- **Press ESC to return to main menu.**

Set Controller IP

- **To enter into programming mode press “ESC”.**
- Model, version, date and time will be displayed momentarily.
- Next screen displays:

F1 Network
F2 Configure
F3 Audits
F4 Update EXIT-Quit

- **Press F1 for Network.**
- Next screen displays:

F1 View Connection
F2 DHCP: OFF
F3 Set DAN IP
<-- PRV ESC-BACK Nxt -->

- **Press Nxt --> for next screen.**
- Next screen displays:

F1 Set Cont IP
F2 Set Mask
F3 Ping
<--PRV ESC-Back Nxt-->

- **Press F1 to Set Cont IP.**
- Next screen displays:

SET Controller IP
192.168.001.090

ESC Back

- **Using the numeric key pad input the appropriate NUMERIC value. Left and right arrow keys may be used to expedite the entry.**
- **Press ESC to save entry. This will return you to the previous menu.**
- **Press ESC again and return to the main menu.**

Set Mask

- **To enter into programming mode press “ESC”.**
- Model, version, date and time will be displayed momentarily.
- Next screen displays:

F1 Network
F2 Configure
F3 Audits
F4 Update EXIT-Quit

- **Press F1 for Network.**
- Next screen displays:

F1 View Connection
F2 DHCP: OFF
F3 Set DAN IP
<-- PRV ESC-BACK Nxt -->

- **Press Nxt --> for next screen.**
- Next screen displays:

F1 Set Cont IP
F2 Set Mask
F3 Ping
<--PRV ESC-Back Nxt-->

- **Press F2 for Set Mask.**
- Next screen displays:

Set Mask
255.255.000.000

ESC Back

- **Using the numeric key pad input the appropriate NUMERIC value. Left and right arrow keys may be used to expedite the entry.**
- **Press ESC to save entry. This will return you to the previous menu.**
- **Press ESC again and return to the main menu.**

PING

- **To enter into programming mode press “ESC”.**
- Model, version, date and time will be displayed momentarily.
- Next screen displays:

F1 Network
F2 Configure
F3 Audits
F4 Update EXIT-Quit

- **Press F1 for Network.**
- Next screen displays:

F1 View Connection
F2 DHCP: OFF
F3 Set DAN IP
<-- PRV ESC-BACK Nxt -->

- **Press Nxt --> for next screen.**
- Next screen displays:

F1 Set Cont IP
F2 Set Mask
F3 Ping
<--PRV ESC-Back Nxt-->

- **Press F3 for Ping.**
- Next screen displays:

Enter IP to Ping
000.000.000.000

F1 Start ESC Back

- Note: The Ping function allows you to troubleshoot your network system by taking one device and pinging another to see if you are talking to it.
- **Using the numeric key pad input the appropriate NUMERIC value. Left and right arrow keys may be used to expedite the entry.**
- **Press ESC to save entry. This will return you to the previous menu.**

- **Press F1 to start the ping process.**

If you are not talking to the other device the screen will display.

Please Wait

- With in a couple of seconds screen displays:

*Ping 1 - Timed Out
Ping 2 - Timed Out
Ping 3 - Timed Out
F1 Again ESC Back*

- **Press ESC returns to previous menu.**

- Next screen displays:

*Enter IP to Ping
000.000.000.000*

F1 Start ESC Back

- If you are talking to the other device, the screen will display:

*Ping 1 - 20 ms
Ping 2 - 20 ms
Ping 3 - 20 ms
F1 Again ESC Back*

- **Press ESC returns to previous menu.**

- Next screen displays:

*Enter IP to Ping
000.000.000.000*

F1 Start ESC Back

- **Press ESC returns to previous menu.**

- **Press ESC again to return to main menu.**

CONFIGURE

Start Amount Cash

The Amount of cash (coins / bills), in dollars, required to initially start the timer. Allowable value range is \$0.01 to \$200.00. (Note: The Start Amount Cash cannot be programmed with a greater value than the Start Amount Card.)

- **To enter into programming mode press “ESC”.**
- Model, version, date and time will be displayed momentarily.
- Next screen displays:

F1 Network
F2 Configure
F3 Audits
F4 Update EXIT-Quit

- **Press F2 for Configure.**
- Next screen displays:

F1 Start Amnt, Cash
F2 Init Time, Cash
F3 Time Per Coin/Qtr
<--Prv ESC-Back Nxt-->

- **Press F1 for Start Amnt, Cash.**
- Next screen displays:

Start Amount, Cash

\$_ 2.00
ESC Back

- **Using the numeric key pad input the appropriate CASH value. Left and right arrow keys may be used to expedite the entry.**
- **Press ESC to save entry. This will return you to the previous menu.**
- **Press ESC again and return to the main menu.**

Initial Time, Cash

The initial amount of time issued, in seconds, also referred to as “Startup Time”. Allowable value range is 1 to 1800 seconds (30 minutes).

- **To enter into programming mode press “ESC”.**
- Model, version, date and time will be displayed momentarily.
- Next screen displays:

F1 Network
F2 Configure
F3 Audits
F4 Update EXIT-Quit

- **Press F2 for Configure.**
- Next screen displays:

F1 Start Amnt, Cash
F2 Init Time, Cash
F3 Time Per Coin/Qtr
<--Prv ESC-Back Nxt-->

- **Press F2 to set Init Time.**
- Next screen displays:

Initial Time, Cash

02m 00s
ESC Back

- **Using the numeric key pad input the appropriate TIME value. Left and right arrow keys may be used to expedite the entry.**
- **Press ESC to save entry. This will return you to the previous menu.**

- **Press ESC again and return to the main menu.**

Time per Quarter

The amount of time, in seconds, added to the timer with each coin pulse. Allowable value range is 1 to 255 seconds (4 minutes and 15 seconds).

- **To enter into programming mode press “ESC”.**
- Model, version, date and time will be displayed momentarily.
- Next screen displays:

F1 Network
F2 Configure
F3 Audits
F4 Update EXIT-Quit

- **Press F2 for Configure.**
- Next screen displays:

F1 Start Amnt, Cash
F2 Init Time, Cash
F3 Time Per Quarter
<--Prv ESC-Back Nxt-->

- **Press F3 to set Time Per Quarter.**
- Next screen displays:

Time Per Quarter
Credit
00m 30s
ESC back

- **Using the numeric key pad input the appropriate TIME value. Left and right arrow keys may be used to expedite the entry.**
- **Press ESC to save entry. This will return you to the previous menu.**
- **Press ESC again and return to the main menu.**

Start Amount, Cards

The dollar amount charged to a credit card or CVC to initially start the timer. Allowable value range is \$0.01 to \$200.00.

- **To enter into programming mode press “ESC”.**
- Model, version, date and time will be displayed momentarily.
- Next screen displays:

F1 Network
F2 Configure
F3 Audits
F4 Update EXIT-Quit

- **Press F2 for Configure.**
- Next screen displays:

F1 Start Amnt, Cash
F2 Init Time, Cash
F3 Time Per Coin/Qtr
<--Prv ESC-Back Nxt-->

- **Press Nxt--> to advance to next screen.**
- Next screen displays:

F1 Start Amnt, Cards
F2 Init Time, Cards
F3 Card Accum Rate
<--Prv ESC-Back Nxt-->

- **Press F1 to set Start Amnt, Cards.**
- Next screen displays:

Start Amount, Cards

\$ 2.25

ESC Back

- **Using the numeric key pad input the appropriate Dollar value. Left and right arrow keys may be used to expedite the entry.**
- **Press ESC to save entry. This will return you to the previous menu.**
- **Press ESC again and return to the main menu.**

Initial Time, Cards

The initial amount of time, in seconds, issued when a credit card or CVC is used. Allowable value range is 1 to 1800 seconds (30 minutes).

- **To enter into programming mode press “ESC”.**
- Model, version, date and time will be displayed momentarily.
- Next screen displays:

F1 Network
F2 Configure
F3 Audits
F4 Update EXIT-Quit

- **Press F2 for Configure.**
- Next screen displays:

F1 Start Amnt, Cash
F2 Init Time, Cash
F3 Time Per Coin/Qtr
<--Prv ESC-Back Nxt-->

- **Press Nxt--> to advance to next screen.**
- Next screen displays:

F1 Start Amnt, Cards
F2 Init Time, Cards
F3 Card Accum Rate
<--Prv ESC-Back Nxt-->

- **Press F2 to set Init Time, Cards.**
- Next screen displays:

Initial Time, Cards

02m 00s
ESC Back

- **Using the numeric key pad input the appropriate TIME value. Left and right arrow keys may be used to expedite the entry.**
- **Press ESC to save entry. This will return you to the previous menu.**
- **Press ESC again and return to the main menu.**

Card Accumulation Rate

The rate, in seconds, at which a credit card or CVC charged amount increases. Allowable value range is 1 to 255 seconds (4 minutes and 15 seconds).

- **To enter into programming mode press “ESC”.**
- Model, version, date and time will be displayed momentarily.
- Next screen displays:

F1 Network
F2 Configure
F3 Audits
F4 Update EXIT-Quit

- **Press F2 for Configure.**
- Next screen displays:

F1 Start Amnt, Cash
F2 Init Time, Cash
F3 Time Per Coin/Qtr
<--Prv ESC-Back Nxt-->

- **Press Nxt--> to advance to next screen.**
- Next screen displays:

F1 Start Amnt, Cards
F2 Init Time, Cards
F3 Card Accum Rate
<--Prv ESC-Back Nxt-->

- **Press F3 to set Card Accum Rate.**
- Next screen displays:

Card Charge
Accumulation Rate
00m 30s
ESC Back

- **Using the numeric key pad input the appropriate TIME value. Left and right arrow keys may be used to expedite the entry.**
- **Press ESC to save entry. This will return you to the previous menu.**
- **Press ESC again and return to the main menu.**

Card Accumulatiuon Amount

The amount charged to a credit card or CVC for each Card Charge Accumulation Rate time period. Allowable value range is \$0.01 to \$10.00.

- **To enter into programming mode press “ESC”.**
- Model, version, date and time will be displayed momentarily.
- Next screen displays:

F1 Network
F2 Configure
F3 Audits
F4 Update EXIT-Quit

- **Press F2 for Configure.**
- Next screen displays:

F1 Start Amnt, Cash
F2 Init Time, Cash
F3 Time Per Coin/Qtr
<--Prv ESC-Back Nxt-->

- **Press Nxt--> to advance to next screen.**
- Next screen displays:

F1 Start Amnt, Cards
F2 Init Time, Cards
F3 Card Accum Rate
<--Prv ESC-Back Nxt-->

- **Press Nxt--> to adavance to next screen.**
- Next screen displays:

F1 Card Accum Amnt
F2 Max Card Charge
F3 Coin Type
<--Prv ESC-Back Nxt -->

- **Press F1 to set Card Accum Amnt.**
- Next screen displays:

Card Accum Amount

\$ 0.25

ESC Back

- **Using the numeric key pad input the appropriate CASH value. Left and right arrow keys may be used to expedite the entry.**
- **Press ESC to save entry. This will return you to the previous menu.**
- **Press ESC again and return to the main menu.**

Max Card Charge

The maximum dollar amount that can accumulate on a card transaction. Allowable value range is \$1.00 to \$200.00. (Note: Max Card Charge can not be programmed with a value less than the Start Amount, Cards.)

- **To enter into programming mode press “ESC”.**
- Model, version, date and time will be displayed momentarily.
- Next screen displays:

F1 Network
F2 Configure
F3 Audits
F4 Update EXIT-Quit

- **Press F2 for Configure.**
- Next screen displays:

F1 Start Amnt, Cash
F2 Init Time, Cash
F3 Time Per Coin/Qtr
<--Prv ESC-Back Nxt-->

- **Press Nxt--> to advance to next screen.**
- Next screen displays:

F1 Start Amnt, Cards
F2 Init Time, Cards
F3 Card Accum Rate
<--Prv ESC-Back Nxt-->

- **Press Nxt--> to advance to next screen.**
- Next screen displays:

F1 Card Accum Amnt
F2 Max Card Charge
F3 Coin Type
<--Prv ESC-Back Nxt -->

- **Press F2 to set Max Card Charge.**
- Next screen displays:

Maxium Card Charge

\$200.00

ESC Back

- **Using the numeric key pad input the appropriate CASH value. Left and right arrow keys may be used to expedite the entry.**
- **Press ESC to save entry. This will return you to the previous menu.**
- **Press ESC again and return to the main menu.**

Coin Type

The type of coin that the timer will accept. (Quarters, \$1 coin, \$2 coin, tokens or multiple types).

- **To enter into programming mode press “ESC”.**
- Model, version, date and time will be displayed momentarily.
- Next screen displays:

F1 Network
F2 Configure
F3 Audits
F4 Update EXIT-Quit

- **Press F2 for Configure.**
- Next screen displays:

F1 Start Amnt, Cash
F2 Init Time, Cash
F3 Time Per Coin/Qtr
<--Prv ESC-Back Nxt-->

- **Press Nxt--> to advance to next screen.**
- Next screen displays:

F1 Start Amnt, Cards
F2 Init Time, Cards
F3 Card Accum Rate
<--Prv ESC-Back Nxt-->

- **Press Nxt--> to advance to next screen.**
- Next screen displays:

F1 Card Accum Amnt
F2 Max Card Charge
F3 Coin Type
<--Prv ESC-Back Nxt -->

- **Press F3 to set Coin Type.**
- Next screen displays:

Coin Type: Quarter

F1 Change Type
ESC Back

- **Pressing F1 will change the coin type automatically.**
- **Press ESC to save entry. This will also return you to the previous menu.**
- **Press ESC again to return to main menu.**

Token 1 Value

The value assigned to token coin 1. Allowable value range is \$0.25 to \$10.00.

- **To enter into programming mode press “ESC”.**
- Model, version, date and time will be displayed momentarily.
- Next screen displays:

F1 Network
F2 Configure
F3 Audits
F4 Update EXIT-Quit

- **Press F2 for Configure.**
- Next screen displays:

F1 Start Amnt, Cash
F2 Init Time, Cash
F3 Time Per Coin/Qtr
<--Prv ESC-Back Nxt-->

- **Press Nxt--> to advance to next screen.**
- Next screen displays:

F1 Start Amnt, Cards
F2 Init Time, Cards
F3 Card Accum Rate
<--Prv ESC-Back Nxt-->

- **Press Nxt--> to advance to next screen.**
- Next screen displays:

F1 Card Accum Amnt
F2 Max Card Charge
F3 Coin Type
<--Prv ESC-Back Nxt -->

- **Press Nxt--> to advance to the next screen.**
- Next screen displays:

F1 Token 1 Value
F2 Tokem 2 Value

<--Prv ESC-Back Nxt-->

- **Press F1 to set Token 1 Value.**
- Next screen displays:

Token Coin 1 Value

\$ 0.25

ESC Back

- **Using the numeric key pad input the appropriate CASH value. Left and right arrow keys may be used to expedite the entry.**
- **Press ESC to save entry. This will return you to the previous menu.**
- **Press ESC again and return to the main menu.**

Token 2 Value

The value assigned to token coin 2. Allowable value range is \$0.25 to \$10.00.

- **To enter into programming mode press “ESC”.**
- Model, version, date and time will be displayed momentarily.
- Next screen displays:

F1 Network
F2 Configure
F3 Audits
F4 Update EXIT-Quit

- **Press F2 for Configure.**
- Next screen displays:

F1 Start Amnt, Cash
F2 Init Time, Cash
F3 Time Per Coin/Qtr
<--Prv ESC-Back Nxt-->

- **Press Nxt--> to advance to next screen.**
- Next screen displays:

F1 Start Amnt, Cards
F2 Init Time, Cards
F3 Card Accum Rate
<--Prv ESC-Back Nxt-->

- **Press Nxt--> to advance to next screen.**
- Next screen displays:

F1 Card Accum Amnt
F2 Max Card Charge
F3 Coin Type
<--Prv ESC-Back Nxt -->

- **Press Nxt--> to advance to the next screen.**
- Next screen displays:

F1 Token 1 Value
F2 Tokem 2 Value

<--Prv ESC-Back Nxt-->

- **Press F2 to set Token 2 Value.**
- Next screen displays:

Token Coin 2 Value

\$ 0.25

ESC Back

- **Using the numeric key pad input the appropriate CASH value. Left and right arrow keys may be used to expedite the entry.**
- **Press ESC to save entry. This will return you to the previous menu.**
- **Press ESC again and return to the main menu.**

Welcome Msg 1

- **To enter into programming mode press “ESC”.**
- Model, version, date and time will be displayed momentarily.
- Next screen displays:

F1 Network
F2 Configure
F3 Audits
F4 Update EXIT-Quit

- **Press F2 for Configure.**
- Next screen displays:

F1 Start Amnt, Cash
F2 Init Time, Cash
F3 Time Per Coin/Qtr
<--Prv ESC-Back Nxt-->

- **Press Nxt--> to advance to next screen.**
- Next screen displays:

F1 Start Amnt, Cards
F2 Init Time, Cards
F3 Card Accum Rate
<--Prv ESC-Back Nxt-->

- **Press Nxt--> to advance to next screen.**
- Next screen displays:

F1 Card Accum Amnt
F2 Max Card Charge
F3 Coin Type
<--Prv ESC-Back Nxt -->

- **Press Nxt--> to advance to the next screen.**
- Next screen displays:

F1 Token 1 Value
F2 Tokem 2 Value

<--Prv ESC-Back Nxt-->

- **Press Nxt--> to advance to next screen.**

- Next screen displays:

F1 Welcome Msg 1
F2 Welcome Msg 2
F3 Welcome Msg 3
ESC Back

- **Press F1 to set Welcome Msg 1.**

- Note Message 1 has a top message and a bottom message.

- Next screen displays:

F1 Message 1 Top
F2 Message 1 Bottom

ESC Back

- **Press F1 to set Message 1 Top.**

- Next screen displays:

Msg 1 Top: Custom
F1: Date & Time F2: Edit
ESC: Back
Welcome!

- Pressing F1 will change the type of message you are displaying from Custom, Date & Time, None or stock..

- The F2: Edit function will only be available if a custom message is turned on. If a custom message is programmed then it will be displayed at bottom of screen (i.e welcome) if not the bottom line will be blank..

- **Press F2 to edit if a custom message is needed or one needs to be edited.**

- Next screen displays:

F1: Del *F4 : Save*
F2 : INS *Y : Scrl Up*
F3 : Clear *N : Scrl Dwn*

- Note:

F1 : Del, will delete spaces.

F2 : INS, will insert a space.

F3 : Clear, will clear all of the message and the line will be blank again.

F4 : Save, will save any changes you make. If you do not select F4 it will revert back to what was previously there

Y : Scrl Up, will scroll up through the numbers, symbols and letters.

N : Scrl Dwn, will scroll down through the numbers, symbols and letters.

- Follow the above instructions to program Message 1 Bottom.
- **Press ESC three times to return to main menu.**

Welcome Msg 2

- To program Welcome Msg 2 follow the instructions on pages 31 - 33.

Welcome Msg 3

- To program Welcome Msg 3 follow the instructions on pages 31 - 33.

Equipment Type

The type of timer the timer interface is connected to. (Bay, vacuum, and other)

- **To enter into programming mode press “ESC”.**
- Model, version, date and time will be displayed momentarily.
- Next screen displays:

F1 Network
F2 Configure
F3 Audits
F4 Update EXIT-Quit

- **Press F2 for Configure.**
- Next screen displays:

F1 Start Amnt, Cash
F2 Init Time, Cash
F3 Time Per Coin/Qtr
<--Prv ESC-Back Nxt-->

- **Press Nxt--> to advance to next screen.**
- Next screen displays:

F1 Start Amnt, Cards
F2 Init Time, Cards
F3 Card Accum Rate
<--Prv ESC-Back Nxt-->

- **Press Nxt--> to advance to next screen.**
- Next screen displays:

F1 Card Accum Amnt
F2 Max Card Charge
F3 Coin Type
<--Prv ESC-Back Nxt -->

- **Press Nxt--> to advance to the next screen.**
- Next screen displays:

F1 Token 1 Value
F2 Tokem 2 Value

<--Prv ESC-Back Nxt-->

- **Press Nxt--> to advance to next screen.**

- Next screen displays:

F1 Welcome Msg 1
F2 Welcome Msg 2
F3 Welcome Msg 3
ESC Back

- **Press --> to advance to next screen.**

- Next screen displays:

F1 Equipment Type
F2 Val Enable Level
F3 Validator Enable
<--Prv ESC-Back Nxt-->

- **Press F1 to set Equipment Type.**

- Next screen displays:

Equip Type: Bay
F1 Change Type

ESC Back

- **Pressing F1 will allow you to select the equipment type.**
- **Press ESC to save entry.** This will also return you to the previous menu.
- **Press ESC again to return to main menu.**

Validator Enable Level

Sets the logical level of the Validator enable signal.

- **To enter into programming mode press “ESC”.**
- Model, version, date and time will be displayed momentarily.
- Next screen displays:

F1 Network
F2 Configure
F3 Audits
F4 Update EXIT-Quit

- **Press F2 for Configure.**
- Next screen displays:

F1 Start Amnt, Cash
F2 Init Time, Cash
F3 Time Per Coin/Qtr
<--Prv ESC-Back Nxt-->

- **Press Nxt--> to advance to next screen.**
- Next screen displays:

F1 Start Amnt, Cards
F2 Init Time, Cards
F3 Card Accum Rate
<--Prv ESC-Back Nxt-->

- **Press Nxt--> to advance to next screen**
- Next screen displays:

F1 Card Accum Amnt
F2 Max Card Charge
F3 Coin Type
<--Prv ESC-Back Nxt -->

- **Press Nxt--> to advance to the next screen.**
- Next screen displays:

F1 Token 1 Value
F2 Tokem 2 Value

<--Prv ESC-Back Nxt-->

- **Press Nxt--> to advance to next screen.**

- Next screen displays:

F1 Welcome Msg 1
F2 Welcome Msg 2
F3 Welcome Msg 3
ESC Back

- **Press --> to advance to next screen.**

- Next screen displays:

F1 Equipment Type
F2 Val Enable Level
F3 Validator Enable
<--Prv ESC-Back Nxt-->

- **Press F2 to set Val Enable Level.**

- Next screen displays:

Validator Enable Lvl
Active Low
F1 Change
ESC Back

- **Pressing F1 allows you to change the Validator Enable Level from Active Low to Active High. (Voltage).**

- **Press ESC to save entry.** This will also return you to the previous menu.

- **Press ESC again to return to the main menu.**

Validator Enable

Enables the use of a Validator with the DTT.

- **To enter into programming mode press “ESC”.**
- Model, version, date and time will be displayed momentarily.
- Next screen displays:

F1 Network
F2 Configure
F3 Audits
F4 Update EXIT-Quit

- **Press F2 for Configure.**
- Next screen displays:

F1 Start Amnt, Cash
F2 Init Time, Cash
F3 Time Per Coin/Qtr
<--Prv ESC-Back Nxt-->

- **Press Nxt--> to advance to next screen.**
- Next screen displays:

F1 Start Amnt, Cards
F2 Init Time, Cards
F3 Card Accum Rate
<--Prv ESC-Back Nxt-->

- **Press Nxt--> to advance to next screen.**
- Next screen displays:

F1 Card Accum Amnt
F2 Max Card Charge
F3 Coin Type
<--Prv ESC-Back Nxt -->

- **Press Nxt--> to advance to the next screen.**
- Next screen displays:

F1 Token 1 Value
F2 Tokem 2 Value

<--Prv ESC-Back Nxt-->

- **Press Nxt--> to advance to next screen.**

- Next screen displays:

F1 Welcome Msg 1
F2 Welcome Msg 2
F3 Welcome Msg 3
ESC Back

- **Press Nxt --> to advance to next screen.**

- Next screen displays:

F1 Equipment Type
F2 Val Enable Level
F3 Validator Enable
<--Prv ESC-Back Nxt-->

- **Press F3 to set Validator Enable.**

- Next screen displays:

Validator: Disabled
F1 Enable

ESC Back

- **Pressing F1 will enable a Validator or disable Validator.**

- **Press ESC to save entry.** This will also return you to the previous menu.

- **Press ESC again to return to the main menu.**

Set Date & Time

- **To enter into programming mode press “ESC”.**
- Model, version, date and time will be displayed momentarily.
- Next screen displays:

F1 Network
F2 Configure
F3 Audits
F4 Update EXIT-Quit

- **Press F2 for Configure.**
- Next screen displays:

F1 Start Amnt, Cash
F2 Init Time, Cash
F3 Time Per Coin/Qtr
<--Prv ESC-Back Nxt-->

- **Press Nxt--> to advance to next screen.**
- Next screen displays:

F1 Start Amnt, Cards
F2 Init Time, Cards
F3 Card Accum Rate
<--Prv ESC-Back Nxt-->

- **Press Nxt--> to advance to next screen.**
- Next screen displays:

F1 Card Accum Amnt
F2 Max Card Charge
F3 Coin Type
<--Prv ESC-Back Nxt -->

- **Press Nxt--> to advance to the next screen.**
- Next screen displays:

F1 Token 1 Value
F2 Tokem 2 Value

<--Prv ESC-Back Nxt-->

- **Press Nxt--> to advance to next screen.**

- Next screen displays:

F1 Welcome Msg 1
F2 Welcome Msg 2
F3 Welcome Msg 3
ESC Back

- **Press --> to advance to next screen.**

- Next screen displays:

F1 Equipment Type
F2 Val Enable Level
F3 Validator Enable
<--Prv ESC-Back Nxt-->

- **Press Nxt--> to advance to next screen.**

- Next screen displays:

F1 Set Date & Time
F2 Card Timer Type
F3 Offline Mode
<--Prv ESC-Back Nxt-->

- **Press F1 to set Time & Date.**

- Next screen displays:

Date & Time
F1 AM
Thu 08/25/05 03:38 P

- Pressing F1 will allow the change from AM to PM.
- **Using your --> going from left to right enter in the correct MM/DD/YY and HH/MM. If a mistake is made use your <-- to go back and correct. Once the correct information is entered press ESC to save.**
- **Press ESC again to return to the main menu.**

Card Timer Type

Determines whether the timer counts up or down during a card transaction.

- **To enter into programming mode press “ESC”.**
- Model, version, date and time will be displayed momentarily.
- Next screen displays:

F1 Network
F2 Configure
F3 Audits
F4 Update EXIT-Quit

- **Press F2 for Configure.**
- Next screen displays:

F1 Start Amnt, Cash
F2 Init Time, Cash
F3 Time Per Coin/Qtr
<--Prv ESC-Back Nxt-->

- **Press Nxt--> to advance to next screen.**
- Next screen displays:

F1 Start Amnt, Cards
F2 Init Time, Cards
F3 Card Accum Rate
<--Prv ESC-Back Nxt-->

- **Press Nxt--> to advance to next screen.**
- Next screen displays:

F1 Card Accum Amnt
F2 Max Card Charge
F3 Coin Type
<--Prv ESC-Back Nxt -->

- **Press Nxt--> to advance to the next screen.**
- Next screen displays:

F1 Token 1 Value
F2 Tokem 2 Value

<--Prv ESC-Back Nxt-->

- **Press Nxt--> to advance to next screen.**

- Next screen displays:

F1 Welcome Msg 1
F2 Welcome Msg 2
F3 Welcome Msg 3
ESC Back

- **Press --> to advance to next screen.**

- Next screen displays:

F1 Equipment Type
F2 Val Enable Level
F3 Validator Enable
<--Prv ESC-Back Nxt-->

- **Press Nxt--> to advance to next screen.**

- Next screen displays:

F1 Set Date & Time
F2 Card Timer Type
F3 Offline Mode
<--Prv ESC-Back Nxt-->

- **Press F2 to set Card Timer type.**

- Next screen displays:

Card Timer Type:
Count Up
F1 Count Down
ESC Back

- **Press F1 to select which direction to count.**
- **Press ESC to save entry. This will also return you to the previous screen.**
- **Press ESC again to return to main menu.**

Offline mode

DTI menu only. When Offline, the DTI does not attempt to connect to the D.A.N. and the Welcome message as displayed.

- **To enter into programming mode press “ESC”.**
- Model, version, date and time will be displayed momentarily.
- Next screen displays:

F1 Network
F2 Configure
F3 Audits
F4 Update EXIT-Quit

- **Press F2 for Configure.**
- Next screen displays:

F1 Start Amnt, Cash
F2 Init Time, Cash
F3 Time Per Coin/Qtr
<--Prv ESC-Back Nxt-->

- **Press Nxt--> to advance to next screen.**
- Next screen displays:

F1 Start Amnt, Cards
F2 Init Time, Cards
F3 Card Accum Rate
<--Prv ESC-Back Nxt-->

- **Press Nxt--> to advance to next screen.**
- Next screen displays:

F1 Card Accum Amnt
F2 Max Card Charge
F3 Coin Type
<--Prv ESC-Back Nxt -->

- **Press Nxt--> to advance to the next screen.**
- Next screen displays:

F1 Token 1 Value
F2 Tokem 2 Value

<--Prv ESC-Back Nxt-->

- **Press Nxt--> to advance to next screen.**

- Next screen displays:

*F1 Welcome Msg 1
F2 Welcome Msg 2
F3 Welcome Msg 3
ESC Back*

- **Press --> to advance to next screen.**

- Next screen displays:

*F1 Equipment Type
F2 Val Enable Level
F3 Validator Enable
<--Prv ESC-Back Nxt-->*

- **Press Nxt--> to advance to next screen.**

- Next screen displays:

*F1 Set Date & Time
F2 Card Timer Type
F3 Offline Mode
<--Prv ESC-Back Nxt-->*

- **Press F3 to set Offline Mode.**

- Next screen displays:

*Offline Mode : Offline
F1 Online*

ESC Back

- **Press F1 to select between Online and Offline.**
- **Press ESC to save entry. This will return you to the previous menu.**
- **Press ESC again to return to main menu.**

External Timer Protocol

This category is used to select the type of serial communications to be used.

To enter into programming mode press “ESC”.

- Model, version, date and time will be displayed momentarily.
- Next screen displays:

F1 Network
F2 Configure
F3 Audits
F4 Update EXIT-Quit

- **Press F2 for Configure.**
- Next screen displays:

F1 Start Amnt, Cash
F2 Init Time, Cash
F3 Time Per Coin/Qtr
<--Prv ESC-Back Nxt-->

- **Press Nxt--> to advance to next screen.**
- Next screen displays:

F1 Start Amnt, Cards
F2 Init Time, Cards
F3 Card Accum Rate
<--Prv ESC-Back Nxt-->

- **Press Nxt--> to advance to next screen.**
- Next screen displays:

F1 Card Accum Amnt
F2 Max Card Charge
F3 Coin Type
<--Prv ESC-Back Nxt -->

- **Press Nxt--> to advance to the next screen.**
- Next screen displays:

F1 Token 1 Value
F2 Tokem 2 Value

<--Prv ESC-Back Nxt-->

- **Press Nxt--> to advance to next screen.**

- Next screen displays:

*F1 Welcome Msg 1
F2 Welcome Msg 2
F3 Welcome Msg 3
ESC Back*

- **Press --> to advance to next screen.**

- Next screen displays:

*F1 Equipment Type
F2 Val Enable Level
F3 Validator Enable
<--Prv ESC-Back Nxt-->*

- **Press Nxt--> to advance to next screen.**

- Next screen displays:

*F1 Set Date & Time
F2 Card Timer Type
F3 Offline Mode
<--Prv ESC-Back Nxt-->*

- **Press Nxt --> to advance to the next screen**

- Next screen displays:

*F1 Ext TMR Protocol
F2 Sys Payout Types
F3 Timer Start Delay
<-- Prv ESC-Back Nxt -->*

- **Press F1 to select Ext TMR Protocol**

- Next screen displays:

*Ext Timer Protocol
None
F1 Change Type
ESC Back*

- **Press F1 to select from the following:**

None - Select when serial communication is not being used. This is the default setting.

Hamilton - Currently not used by any manufactures.

Hamilton Vending - Currently used by Fragramatics (Newer Vacuums)

Dixmor - All Dixmor Timers that support serial communications.

IDX - All IDX Timers that suport serial communications.

- **Press ESC to save entry. This will return you to the previous menu.**
- **Press ESC again to return to main menu.**

System Payout Types

This category is used to select the type of payouts that will be “dispensed” when cash is deposited or a card is approved.

To enter into programming mode press “ESC”.

- Model, version, date and time will be displayed momentarily.
- Next screen displays:

F1 Network
F2 Configure
F3 Audits
F4 Update EXIT-Quit

- **Press F2 for Configure.**
- Next screen displays:

F1 Start Amnt, Cash
F2 Init Time, Cash
F3 Time Per Coin/Qtr
<--Prv ESC-Back Nxt-->

- **Press Nxt--> to advance to next screen.**
- Next screen displays:

F1 Start Amnt, Cards
F2 Init Time, Cards
F3 Card Accum Rate
<--Prv ESC-Back Nxt-->

- **Press Nxt--> to advance to next screen.**
- Next screen displays:

F1 Card Accum Amnt
F2 Max Card Charge
F3 Coin Type
<--Prv ESC-Back Nxt -->

- **Press Nxt--> to advance to the next screen.**
- Next screen displays:

F1 Token 1 Value
F2 Tokem 2 Value

<--Prv ESC-Back Nxt-->

- **Press Nxt--> to advance to next screen.**

- Next screen displays:

*F1 Welcome Msg 1
F2 Welcome Msg 2
F3 Welcome Msg 3
ESC Back*

- **Press --> to advance to next screen.**

- Next screen displays:

*F1 Equipment Type
F2 Val Enable Level
F3 Validator Enable
<--Prv ESC-Back Nxt-->*

- **Press Nxt--> to advance to next screen.**

- Next screen displays:

*F1 Set Date & Time
F2 Card Timer Type
F3 Offline Mode
<--Prv ESC-Back Nxt-->*

- **Press Nxt --> to advance to the next screen.**

- Next screen displays:

*F1 Ext TMR Protocol
F2 Sys Payout Types
F3 Timer Start Delay
<-- Prv ESC-Back Nxt -->*

- **Press F2 to select Sys Payout Types**

- Next screen displays:

*F1 Serial Payout OFF
F2 Pulse Payout ON
F3 Timer Payout ON
ESC Back*

- **Press F1 to enable or disable Serial Payout.**

Serial Payout - Affects whether or not a serial cash deposited message is generated following a bill or coin deposited.

- **Press F2 to enable or disable Pulse Payout.**

Pulse Payout - Affects whether or not a pulse stream is dispensed on the line in response to a bill deposited or card transaction.

- **Press F3 to enable or disable Timer Payout.**

Time Payouts - Affects whether or not we turn on the Timed Load line for some calculated amount of time.

- **Press ESC to save entry. This will return you to the previous menu.**

- **Press ESC again to return to main menu.**

Timer Start Delay

This category can be used to adjust the delay before starting count down so we more closely match the External Timer count down.

To enter into programming mode press “ESC”.

- Model, version, date and time will be displayed momentarily.
- Next screen displays:

F1 Network
F2 Configure
F3 Audits
F4 Update EXIT-Quit

- **Press F2 for Configure.**

- Next screen displays:

F1 Start Amnt, Cash
F2 Init Time, Cash
F3 Time Per Coin/Qtr
<--Prv ESC-Back Nxt-->

- **Press Nxt--> to advance to next screen.**

- Next screen displays:

F1 Start Amnt, Cards
F2 Init Time, Cards
F3 Card Accum Rate
<--Prv ESC-Back Nxt-->

- **Press Nxt--> to advance to next screen.**

- Next screen displays:

F1 Card Accum Amnt
F2 Max Card Charge
F3 Coin Type
<--Prv ESC-Back Nxt -->

- **Press Nxt--> to advance to the next screen.**

- Next screen displays:

F1 Token 1 Value
F2 Tokem 2 Value

<--Prv ESC-Back Nxt-->

- **Press *Nxt-->* to advance to next screen.**

- Next screen displays:

F1 Welcome Msg 1
F2 Welcome Msg 2
F3 Welcome Msg 3
ESC Back

- **Press *-->* to advance to next screen.**

- Next screen displays:

F1 Equipment Type
F2 Val Enable Level
F3 Validator Enable
<--Prv ESC-Back Nxt-->

- **Press *Nxt-->* to advance to next screen.**

- Next screen displays:

F1 Set Date & Time
F2 Card Timer Type
F3 Offline Mode
<--Prv ESC-Back Nxt-->

- **Press *Nxt -->* to advance to the next screen**

- Next screen displays:

F1 Ext TMR Protocol
F2 Sys Payout Types
F3 Timer Start Delay
<-- Prv ESC-Back Nxt -->

- **Press *F3* to select *Timer Start Delay***

- Next screen displays:

Timer Start Delay

00m 03s
ESC Back

- **Press the numerical keys on the handheld to adjust the *Timer Start Delay*.**

- **Press *ESC* to save entry. This will return you to the previous menu.**

- **Press *ESC* again to return to main menu.**

Display Type

This allows you to change the display from a 2-line display to a 4-line display

Note: Selecting the 4-Line display type centers the messaging in the middle of the display.

To enter into programming mode press “ESC”.

- Model, version, date and time will be displayed momentarily.
- Next screen displays:

F1 Network
F2 Configure
F3 Audits
F4 Update EXIT-Quit

- **Press F2 for Configure.**
- Next screen displays:

F1 Start Amnt, Cash
F2 Init Time, Cash
F3 Time Per Coin/Qtr
<--Prv ESC-Back Nxt-->

- **Press Nxt--> to advance to next screen.**
- Next screen displays:

F1 Start Amnt, Cards
F2 Init Time, Cards
F3 Card Accum Rate
<--Prv ESC-Back Nxt-->

- **Press Nxt--> to advance to next screen.**
- Next screen displays:

F1 Card Accum Amnt
F2 Max Card Charge
F3 Coin Type
<--Prv ESC-Back Nxt -->

- **Press Nxt--> to advance to the next screen.**
- Next screen displays:

F1 Token 1 Value
F2 Tokem 2 Value

<--Prv ESC-Back Nxt-->

- **Press Nxt--> to advance to next screen.**

- Next screen displays:

F1 Welcome Msg 1
F2 Welcome Msg 2
F3 Welcome Msg 3
ESC Back

- **Press --> to advance to next screen.**

- Next screen displays:

F1 Equipment Type
F2 Val Enable Level
F3 Validator Enable
<--Prv ESC-Back Nxt-->

- **Press Nxt--> to advance to next screen.**

- Next screen displays:

F1 Set Date & Time
F2 Card Timer Type
F3 Offline Mode
<--Prv ESC-Back Nxt-->

- **Press Nxt--> to advance to next screen.**

- Next screen displays:

F1 Ext TMR Protocol
F2 Sys Payout Types
F3 Timer Start Delay
<-- Prv ESC-Back Nxt-->

- **Press Nxt --> to advance to next screen.**

- Next screen displays:

F1 Display Type

<--Prv ESC-Back Nxt-->

- **Press F1 for Display Type.**
- Next screen displays:

*Display Type: 4-Line
F1 Change Type*

ESC Back

- **Press F1 to select between 2-Line and 4-Line.**
- **Press ESC to save entry. This will return you to the previous menu.**
- **Press ESC again to return to main menu.**

AUDITS

View Audits

- **To enter into programming mode press “ESC”.**
- Model, version, date and time will be displayed momentarily.
- Next screen displays:

F1 Network
F2 Configure
F3 Audits
F4 Update EXIT-Quit

- **Press F3 for Audits.**
- Next screen displays:

F1 View Audits
F2 Clear Resettables

ESC Back

- **Press F1 to View Audits.**
- Next screen displays:

*Use <- and -> to
move between audits.
Use ESC to return to
the previous menu*

- **Press -> to view audits.**
- Next screen displays:

<i>Quarter Tot</i>	<i>0</i>
<i>Amount</i>	<i>\$0.00</i>
<i>Perm Tot</i>	<i>0</i>
<i>Amount</i>	<i>\$0.00</i>

Audit categories:

Quarter
\$1 Coin
\$2 Coin
\$1 Bill
\$5 Bill
\$10 Bill
\$20 Bill
Total Cash
Token 1
Token 2
Timer Uses
Credit Cards
Fleet Cards
Value Cards

Note: It will also display the last time the audits were cleared
01/01/00 00:00

- **Press ESC after viewing. This will return you to the previous screen.**
- **Press ESC again to return to main menu.**

Clear Resettables

- **To enter into programming mode press “ESC”.**
- Model, version, date and time will be displayed momentarily.
- Next screen displays:

F1 Network
F2 Configure
F3 Audits
F4 Update EXIT-Quit

- **Press F3 for Audits.**
- Next screen displays:

F1 View Audits
F2 Clear Resettables

ESC Back

- **Press F2 to clear Resettables.**
- Next screen displays:

Clear Audits.

Are you sure (Y / N)?

- Pressing “Y” will clear your audits and pressing “N” will not.
- **Pressing N will automatically return you to the previous screen.**
- **Pressing Y will advance you to the next screen.**
- Next screen displays:

Clearing Audits

Please Wait

- When complete the next screen displays:

F1 View Audits

F2 Clear Resettables

ESC Back

- **Press ESC again to return to main menu.**

Clear Resettable Manually

- To enter into programming mode, remove rubber plug from back of controller cover (lower left hand corner).
- Using a straight object (pen or small screwdriver), press the audit reset button once.
- Next screen displays:

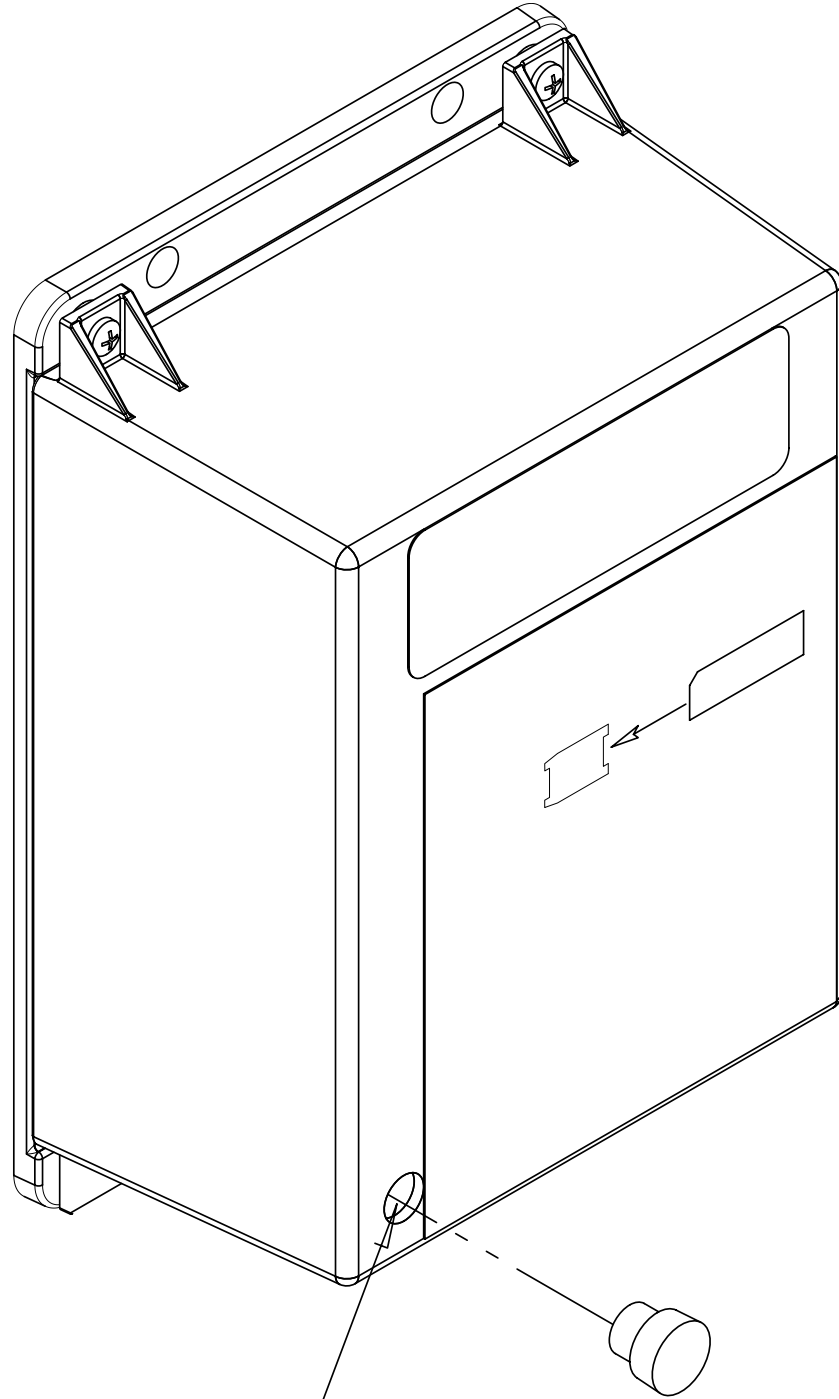
Quarters X
\$X.XX

- Pressing the button again will allow you to scroll to the next category.
- *Note: You must press the button each time you want to scroll to the next category.*
- To clear the resettable audits, “Press and Hold” the reset button.
- Next screen displays:

To Clear Audits
Press Button Again

- By pressing the reset button again, the resettable audits will be cleared and you will return to the welcome message.

Note: If there is inactivity when in the program mode for more than 1 minute and 30 seconds, it will exit the program mode and return to the welcome message. If there is inactivity when in the clearing audit mode for more than 15 seconds, it will exit the program mode and return to the welcome message.



AUDIT RESET

UPDATE

This category is only used for updating the controllers firmware and should only be used with the direction of the Hamilton Customer Service Department.

DTT PROGRAMMING SECTION

Programming

Note: The Programming of the DTI and DTT programs are very similiar but, do have some differences. The most notable is that the “CASH” categories are only available in the DTI programming. The other difference is the category “Pulse Per Dollar” which is only available in the DTT programming.

- ◆ Upon initial system power up, the first screen will display:

DTT-X vX.XX

- ◆ Next screen displays your Welcome Messages:

***To Start Timer
Use Coins***

- ◆ To enter into programming mode press “ESC”.

- ◆ Next screen displays:

***Model: DTT-X
Version: X.XX***

Sat 01/01/00 12:18 A

- ◆ Screen will automatically advance after a few seconds.

- ◆ Next screen displays:

***F1 Network
F2 Configure
F3 Audits
F4 Update Exit-Quit***

- ◆ Note: The screen on the controller will display:

Programming

- ◆ Note: You will be entering from both the “F” function keys and numerical keys.

CONFIGURE

Pulse Per Dollar

The value assigned to pulses per dollar. Allowable value range is 1 to 255 pulses.

- **To enter into programming mode press “ESC”.**
- Model, version, date and time will be displayed momentarily.
- Next screen displays:

F1 Network
F2 Configure
F3 Audits
F4 Update EXIT-Quit

- **Press F2 for Configure.**
- Next screen displays:

F1 Start Amnt, Cards
F2 Init Time, Cards
F3 Card Accum Rate
<--Prv ESC-Back Nxt-->

- **Press Nxt--> to advance to next screen.**
- Next screen displays:

F1 Start Amnt, Amnt
F2 Max Card Charge
F3 Coin Type
<--Prv ESC-Back Nxt-->

- **Press Nxt--> to advance to next screen.**
- Next screen displays:

F1 Token 1 Value
F2 Token 2 Value
F3 Pulses Per Dollar
<--Prv ESC-Back Nxt -->

- **Press F3 to set pulses per dollar.**
- Next screen displays:

Pulses Per Dollar

ESC Back **– 4**

- **Using the numeric key pad input the appropriate pulse dollar value. Left and right arrow keys may be used to expedite the entry.**
- **Press ESC to save entry. This will return you to the previous menu.**
- **Press ESC again and return to the main menu.**

LIMITED WARRANTY AGREEMENT OF HAMILTON MANUFACTURING CORP.

Hamilton Manufacturing Corp., an Ohio Corporation, (“Seller”) warrants to Purchaser that all new equipment shall be free from defects in material and factory workmanship for a period of one (1) year from the original shipping date. Hamilton Manufacturing Corp. further warrants if any part of said new equipment in Seller’s sole opinion, requires replacement or repair due to a defect in material or factory workmanship during said period, Seller will repair or replace said new equipment. Purchaser’s remedies and the liabilities and obligations of Seller herein shall be limited to repair or replacement of the equipment as Seller may choose, and Seller’s obligation to remedy such defects shall not exceed the Purchaser’s original cost for the equipment. Purchaser EXPRESSLY AGREES this is the EXCLUSIVE REMEDY under this warranty. There are no other express or implied warranties which extend beyond the face hereof. All warranty repair service must be performed by either a Factory Trained Service Representative or **HAMILTON MANUFACTURING CORP., 1026 Hamilton Drive, Holland, Ohio 43528 PHONE (419) 867-4858 or (800) 837-5561, FAX (419) 867-4867.**

The limited warranty for new equipment is conditioned upon the following:

1. The subject equipment has not, in the Seller’s sole opinion, been subjected to: accident, abuse, misuse, vandalism, civil disobedience, riots, acts of God, natural disaster, acts of war or terrorism.
2. The Seller shall not be liable for any expense incurred by Purchaser incidental to the repair or replacement of equipment and Purchaser shall assume full responsibility for any freight or shipping charges.
3. The coverage of this warranty shall not extend to expendable parts.
4. Purchaser shall have a warranty registration card on file with Seller prior to any claim in order for warranty protection to apply.
5. No warranty coverage is applicable to any equipment used for currency other than that specified at the time of the purchase.
6. Seller expressly disclaims any warranty that counterfeit currency will not activate said equipment.
7. Seller expressly disclaims any warranty for any losses due to bill manipulation or theft or loss of cash under any circumstances.
8. Use of the equipment for anything other than its intended and designed use will void the Limited Warranty Agreement. Use of equipment for anything other than its intended and designed use includes, but is not limited to, downloading software/applications not certified by Seller such as e-mail, spyware, screen savers, viruses, worms, third party software, web search engines, cookies, spam, desktop applications, games, web surfing, etc.

Seller further warrants all repair or service work performed by a factory trained representative or Hamilton Manufacturing Corp. for a period of ninety (90) days from the date the repair or service work was performed. Purchaser’s remedies and the liabilities and obligations of Seller herein shall be limited to repair or replacement of equipment as Seller may choose, and Seller’s obligation to remedy such defects shall not exceed the Purchaser’s depreciated value of the equipment. Purchaser EXPRESSLY AGREES this is an EXCLUSIVE REMEDY under this warranty. There are no other express or implied warranties on repair or service work performed by a factory trained representative or Hamilton Manufacturing Corp. which extend beyond the face hereof.

The limited warranty for repair and service work is conditioned upon the following:

1. The subject equipment has not, in the Seller's sole opinion, been subjected to: accident, abuse, misuse, vandalism, civil disobedience, riots, acts of God, natural disaster, acts of war or terrorism.
2. The Seller shall not be liable for any expense incurred by Purchaser incidental to the repair or replacement of equipment and Purchaser shall assume full responsibility for any freight or shipping charges.
3. The coverage of this warranty shall not extend to expendable parts.
4. Purchaser shall have a warranty registration card on file with Seller prior to any claim in order for warranty protection to apply.
5. No warranty coverage is applicable to any equipment used for currency other than that specified at the time of the purchase.
6. Seller expressly disclaims any warranty that counterfeit currency will not activate said equipment.
7. Seller expressly disclaims any warranty for any losses due to bill manipulation or theft or loss of cash under any circumstances.
8. No person or entity other than a factory trained representative or Hamilton Manufacturing Corp. has performed or attempted to perform the subject repair or service.
9. Using equipment which has been serviced or repaired for anything other than its intended or designed use such as downloading software applications not certified by Seller will void the Limited Warranty Agreement. This includes software/applications such as e-mail, spyware, screen savers, viruses, worms, third party software, web search engines, cookies, spam, desktop applications, games, web surfing, etc.

THIS AGREEMENT IS MADE WITH THE EXPRESS UNDERSTANDING THAT THERE ARE NO IMPLIED WARRANTIES THAT THE EQUIPMENT SHALL BE MERCHANTABLE, OR THAT THE GOODS SHALL BE FIT FOR ANY PARTICULAR PURPOSE. PURCHASER HEREBY ACKNOWLEDGES THAT IT IS NOT RELYING ON THE SELLER'S SKILL OR JUDGMENT TO SELECT OR FURNISH EQUIPMENT SUITABLE FOR ANY PARTICULAR PURPOSE AND THAT THERE ARE NO WARRANTIES WHICH EXTEND BEYOND THAT WHICH IS DESCRIBED HEREIN.

The Purchaser agrees that in no event will the Seller be liable for direct, indirect, or consequential damages or for injury resulting from any defective or non-conforming new, repaired or serviced equipment, or for any loss, damage or expense of any kind, including loss of profits, business interruption, loss of business information or other pecuniary loss arising in connection with this Limited Warranty Agreement, or with the use of, or inability to use the subject equipment regardless of Seller's knowledge of the possibility of the same.

Hamilton Manufacturing Corp.

1026 Hamilton Drive
Holland, OH 43528

Sales Phone: (888) 723-4858 **Sales Fax:** (419) 867-4850
Customer Service Phone: (800) 837-5561 **Customer Service Fax:** (419) 867-4857
Parts Phone: (866) 835-1721 **Parts Fax:** (419) 867-4867

Website: <http://www.hamiltonmfg.com>

Email Addresses:

service@hamiltonmfg.com

sales@hamiltonmfg.com

parts@hamiltonmfg.com