



HAMILTON

Hamilton Manufacturing Corp.
1026 Hamilton Dr., Holland, OH 43528
Phone: 419-867-4858/800-837-5561 • Fax 419-867-4857 • www.hamiltonmfg.com

3600RL Series Operational Manual

TABLE OF CONTENTS

I. INTRODUCTION	4
II. INSTALLATION	5
MOUNTING	5
ELECTRICAL	5
III. MAINTENANCE	6
HOPPER	6
VALIDATOR	6
STACKER	6
CONTROLLER	6
IV. PARTS	7
MARS® Validator	8
Additional Parts For Use With the STA Validator	8
3600 MAIN HARNESS	10
3600 SLAVE HARNESS	11
3600 COMMUNICATION HARNESS	12
3600 STA/STACKER VALIDATOR HARNESS	13
3600 XE/STACKER VALIDATOR HARNESS	14
3600 COINCO VALIDATOR HARNESS	15
3600 MARS VALIDATOR HARNESS	16
3600 SERVICE 2 CABLE	17
3600 SERVICE 1 CABLE	18
3600 D SUB EXTENSION	19
3600 CASHCODE VALIDATOR HARNESS	20
Appendix A	21
Bill Denomination Mylar	21
Installation Instructions	21
LIMITED WARRANTY AGREEMENT	22

ABOUT THIS MANUAL

This manual will provide the operator with important information about installing and maintaining the 3600RL Series of Changers. General information is provided for the hopper, validator, stacker and controller. However, if additional information is needed for these components, please refer to the appropriate manual. To obtain assistance from the manufacturer, please call (800) 837-5561 or (419) 867-4858.

When calling for assistance, it is very important to have serial numbers readily available. Please record these numbers in the spaces provided. It is important to account the serial numbers for each hopper.

3600RL Series Changer Model & Changer Serial # _____

Validator 1 Model & Serial # _____

Validator 2 Model & Serial # _____

Hopper 1 Serial # _____

Hopper 2 Serial # _____

Hopper 3 Serial # _____

Stacker Serial # _____

Stacker Serial # _____

Controller Model & Serial # _____

Key/Lock # _____

Please complete the warranty card, which was included with your changer, and return it to the manufacturer.

I. INTRODUCTION

The 3600RL Series Changers can be equipped with three hoppers and dual validators. This combination gives you the ability to hold a large capacity of coins in any combination, along with the added reliability of having two validators.

With the 3600RL Series, customers may choose from a variety of options. Please note the options you have selected in your machine and record all model and serial numbers of all components. For the dual validators, you may use a pair of Hamilton STA or XE Validators, or a pair manufactured by Coinco® or Mars®.

The 3600RL Series offers the option of coin acceptance using a Slugbuster® or IDX® Coin Mech.

The Audit Pro 2000 is available to program a variety of payout combinations and offers auditing capabilities and with the thermal printer, complete transaction reporting.

II. INSTALLATION

NOTE: It is very important to read and understand all of these instructions before attempting installation. HAMILTON WILL NOT BE RESPONSIBLE FOR INJURY DUE TO IMPROPER INSTALLATION.

MOUNTING

Cabinets are constructed for through wall mounting. Changers should be securely fastened to the wall. Fasteners to be used should be recommended by your engineer as to strength and suitability for wall composition. Hamilton will not be responsible for injury due to improper installation.

1. Cut an opening in the wall measuring a minimum of 34 $\frac{7}{8}$ " H x 21 $\frac{1}{4}$ " W.
2. Caulk around the outside edge of the opening.
3. DURING INSTALLATION, REMOVE ALL MAJOR COMPONENTS FROM THE CHANGER.
4. Place the cabinet in the opening and press until the flange is flush on all sides.
5. Fasten the cabinet by bolting or welding a 2" angle on both sides of the cabinet.

CABINET: 34-7/8" H x 21-1/4" W x 14-3/8" D.

FACEPLATE: 38 3/8" H x 24-3/4" W.

ELECTRICAL

CAUTION! TO AVOID SEVERE INJURY OR DEATH, ALWAYS DISCONNECT POWER TO THE MACHINE WHEN SERVICING.

This changer is operated on 120VAC, 60 Hz. A GROUND FAULT INTERRUPTER IS REQUIRED. The 3600RL changers with one hopper use a 5 AMP CIRCUIT BREAKER, the two hopper machines use a 6 AMP CIRCUIT BREAKER, and the 3600RL changers with three hoppers use an 8 AMP CIRCUIT BREAKER. This unit may be hard-wired with conduit if desired.

III. MAINTENANCE

CAUTION! Do not use oil, grease or solvents on any part of this changer except as clearly specified in this manual, the hopper manual, the validator manual or the stacker manual.

HOPPER

Any lubrication in the hopper can result in a faulty payout. Empty the hopper and vacuum once a month. Use a soft brush to loosen dirt. (Refer to the hopper manual for details on maintenance.)

VALIDATOR

For Hamilton Validators, service should be done annually for maximum performance. This work should only be done by a trained technician. For validators not manufactured by Hamilton, please refer to the appropriate manual for maintenance instructions.

STACKER

Refer to the stacker manual for any maintenance instructions.

CONTROLLER

The microprocessor based Hamilton Audit Pro 2000 Controller monitors the systems of the 3600RL Series Bill Changers. If a problem is detected, the controller will shut down and display the appropriate error code. Refer to the Audit Pro 2000 Operation Manual for error codes and programming payout options.

IV. PARTS

PART #	DESCRIPTION	QTY.
48-3103	MAIN HARNESS*	1
47-0029	3/8 CONDUIT CONNECTOR*	1
60-2049	EMPTY LIGHT COVER*	2
49-1022CLG	POWER BOX 8 AMP*	1
49-2010A	AUDIT PRO HAND HELD*	1
47-0077	GROUND TERMINAL	1
47-0217	LINE CORD*	1
60-2209	FLIPPER	1
60-2207	ACCESS SHIELD*	1
96-0096	PRICE/FUNCTION DECALS	2
11-0033	HOPPER PIVOT BRACKET*	1
60-0084	LOCK UNISTRUT COVER	2
60-2048	FILLER PLATE	2
60-2047	COVER PLATE*	2
63-5040	LOCK CRANK	1
63-5002	LOCK PAIR COMPLETE	1
60-0388	HOPPER SUPPORT*	3
47-0080	OUT OF SERVICE LIGHT*	2
60-0318A	RAIN SHIELD ASSM.*	2
49-2004A	AUDIT PRO CONTROLLER	1
11-0100F	HOPPER, SUSAN B ANTHONY	1
11-0100A	HOPPER, NICKEL	1
11-0100	HOPPER, QUARTER	1
11-0100B	HOPPER, DIME	1
80-9252	SLUGBUSTER COIN MECH (OPTIONAL)*	1
80-9251	IDX COIN MECH (OPTIONAL)*	1
90-0130	6-32 x 1/8" PAN HEAD SCREWS*	2
60-0391	HORIZONTAL COIN ENTRANCE CHUTE*	1
60-0394	COIN MECH BRACKET*	1
60-0393	COIN ENTRANCE CHUTE, BOTTOM	1
60-0392	COIN ENTRANCE CHUTE, TOP	1

*Pictured on page 9.

Additional Parts For Use With the STA Validator

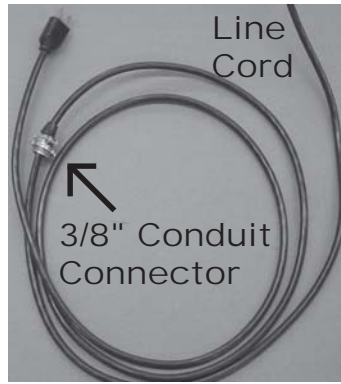
PART #	DESCRIPTION	QTY.
48-3105	COMMUNICATIONS HARNESS	1
48-3104	SLAVE HARNESS	1
99-0049	STA SEAL	2
37-0055B	STA REAR LOAD BRACKET ASSM.	2
48-3111	SERVICE 1 HARNESS	2
48-3106	STA HARNESS	1
05-0000	TRANSFORMER RELAY BOX ASSM.	1
37-0000	STA STACKER	2
99-0000	STA VALIDATOR	2
49-2004A	AUDIT PRO CONTROLLER	2
60-2052	UNIVERSAL MOUNT SLIDER	2

MARS[®] Validator

PART #	DESCRIPTION	QTY.
48-3110	SERVICE 2 HARNESS	1
48-3109	MARS HARNESS	1
05-0001	RELAY BOX ASSM.	1
60-0390	MARS VALIDATOR MOUNT BRACKET	2
46-0202	MARS VALIDATOR	2
36-0075	RELAY	1



Main Harness



Line Cord

3/8" Conduit Connector



Empty Light Cover



Power Box 8 Amp

WARNING - RISK OF FIRE
For continued protection
replace only with the same
type and rating of fuse.



Audit Pro Hand-held



Access Shield



Hopper Bracket



Cover Plate

Out of Service Light



Hopper Support



Rainshield Assm.



Slugbuster Coin Mech



IDX Coin Mech



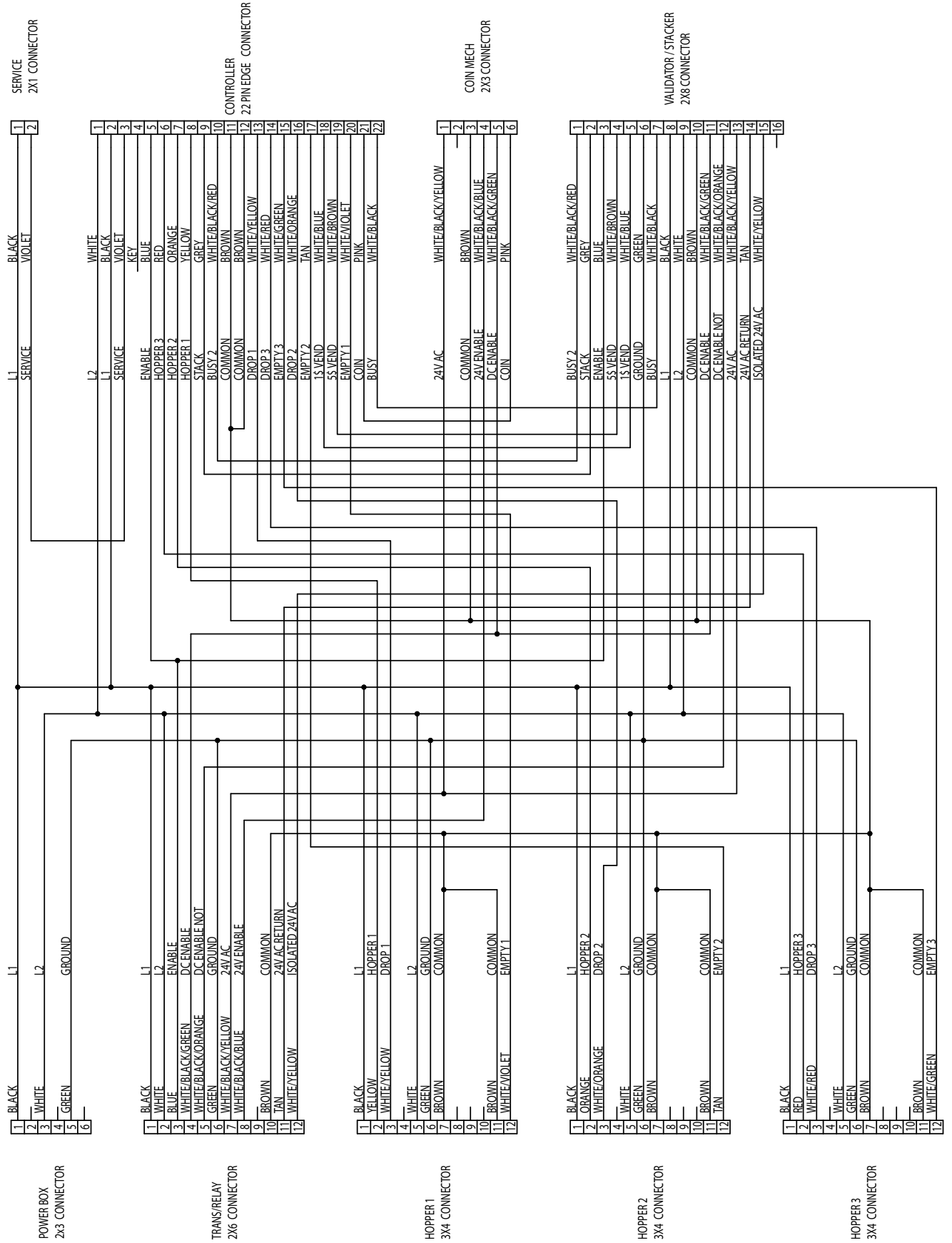
Coin Mech Bracket



Horizontal Coin Entrance Chute

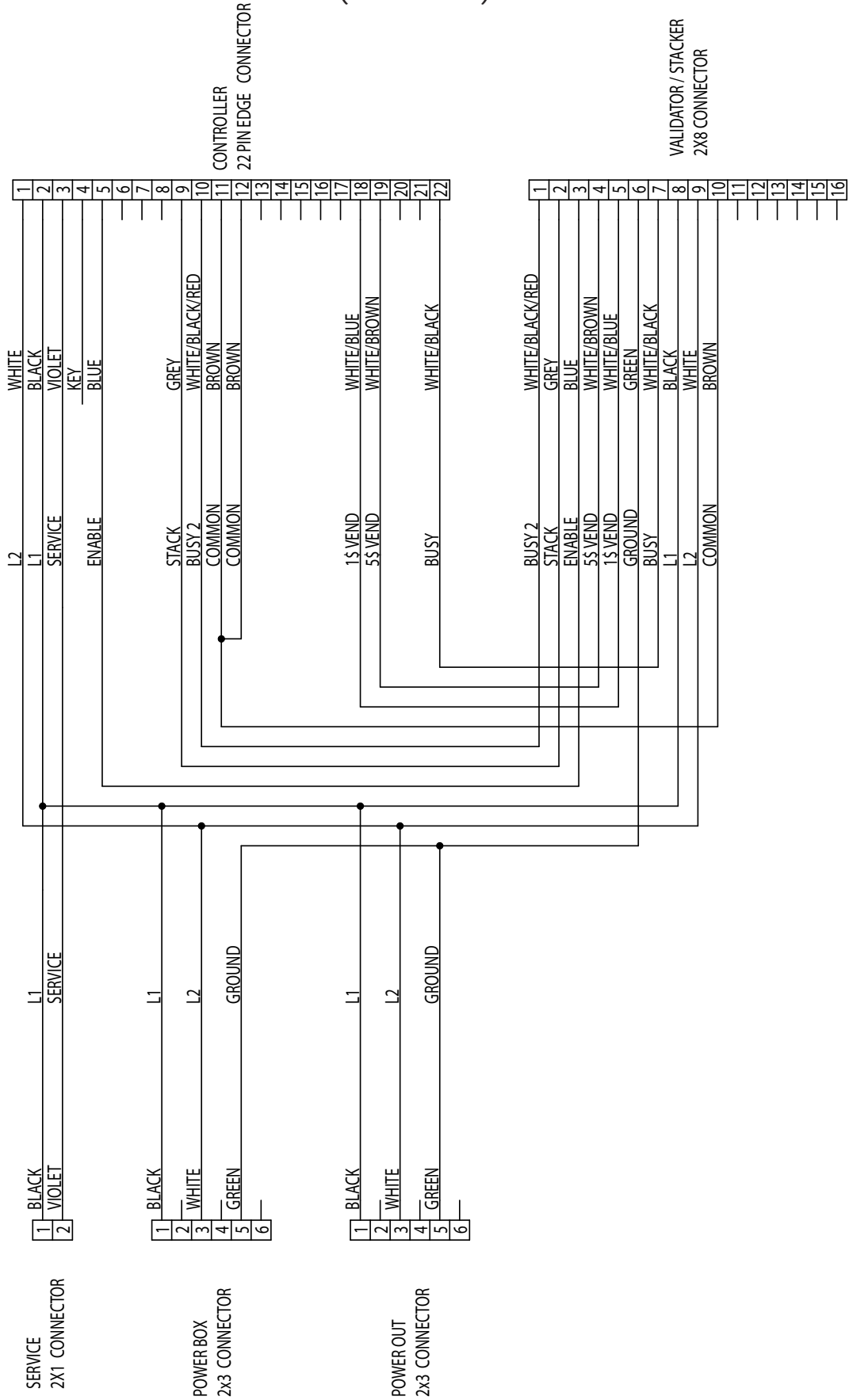
3600 MAIN HARNESS

(48-3103)



3600 SLAVE HARNESS

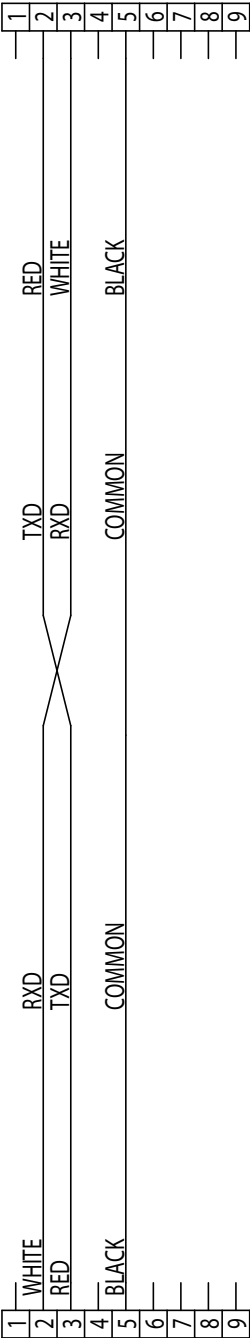
(48-3104)



3600 COMMUNICATION HARNESS

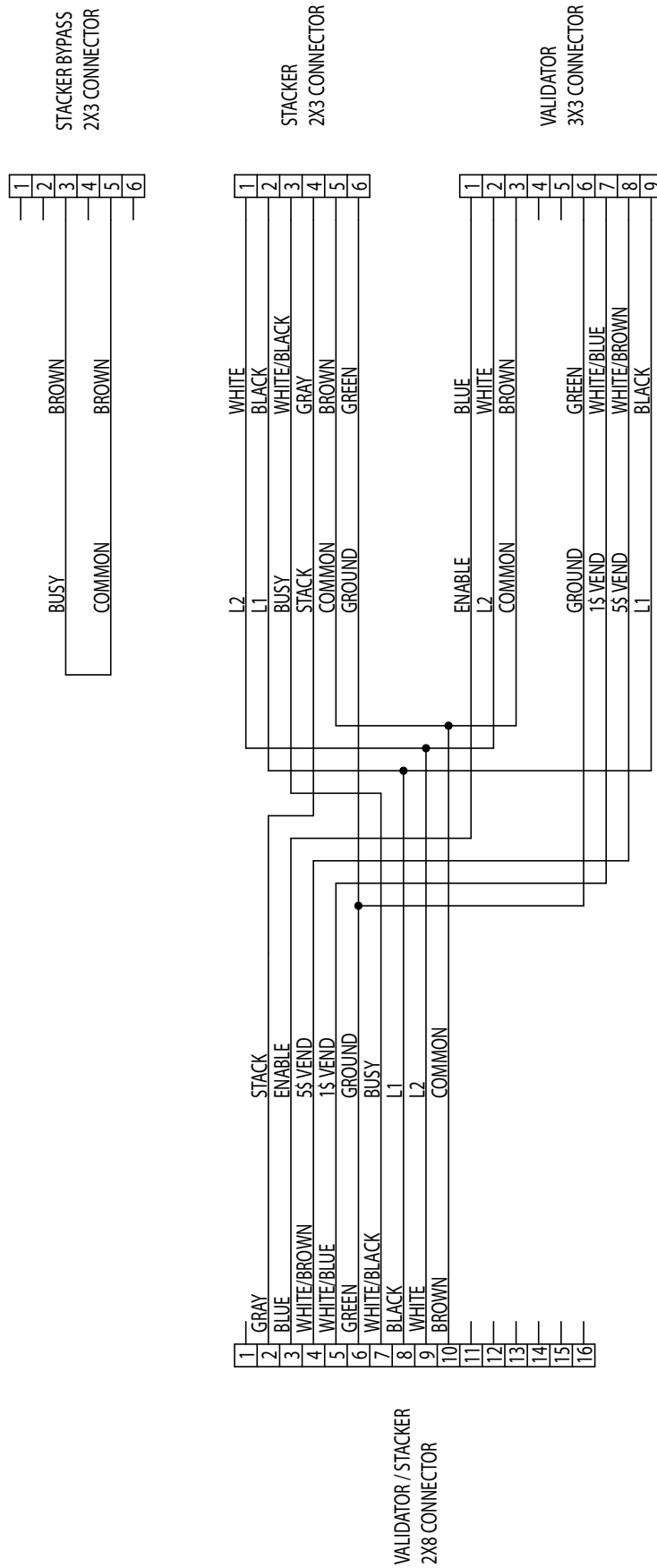
(48-3105)

DB9
FEMALE

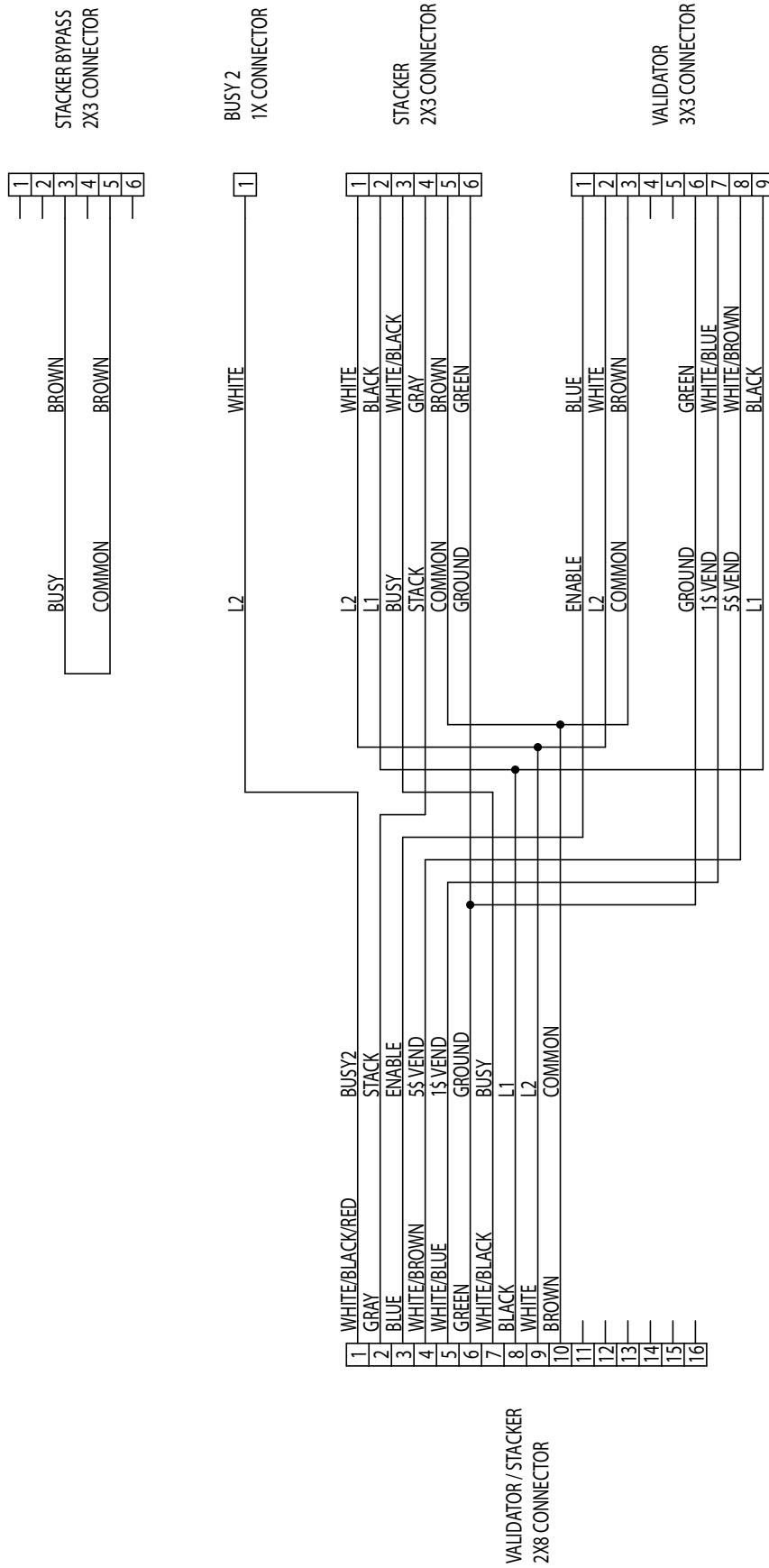


DB9
FEMALE

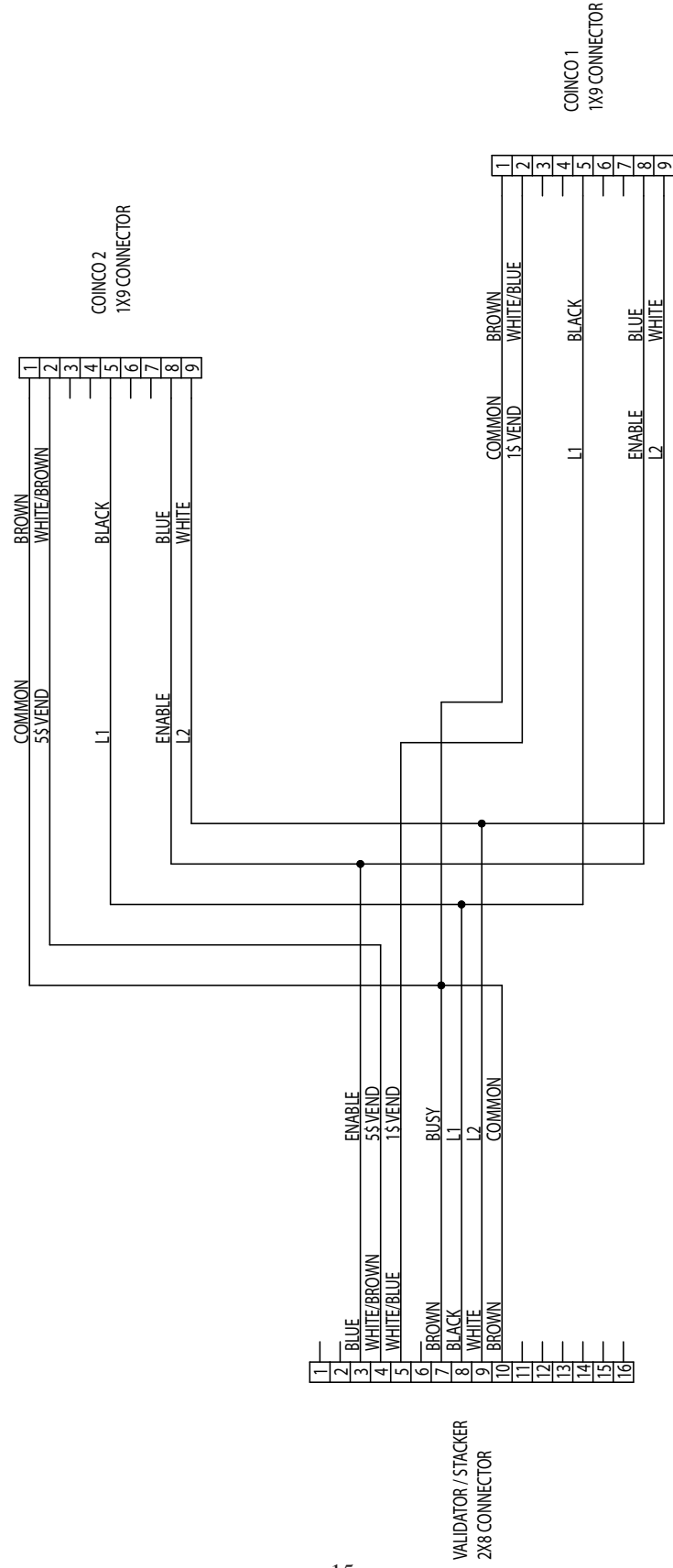
3600 STA/STACKER VALIDATOR HARNESS (48-3106)



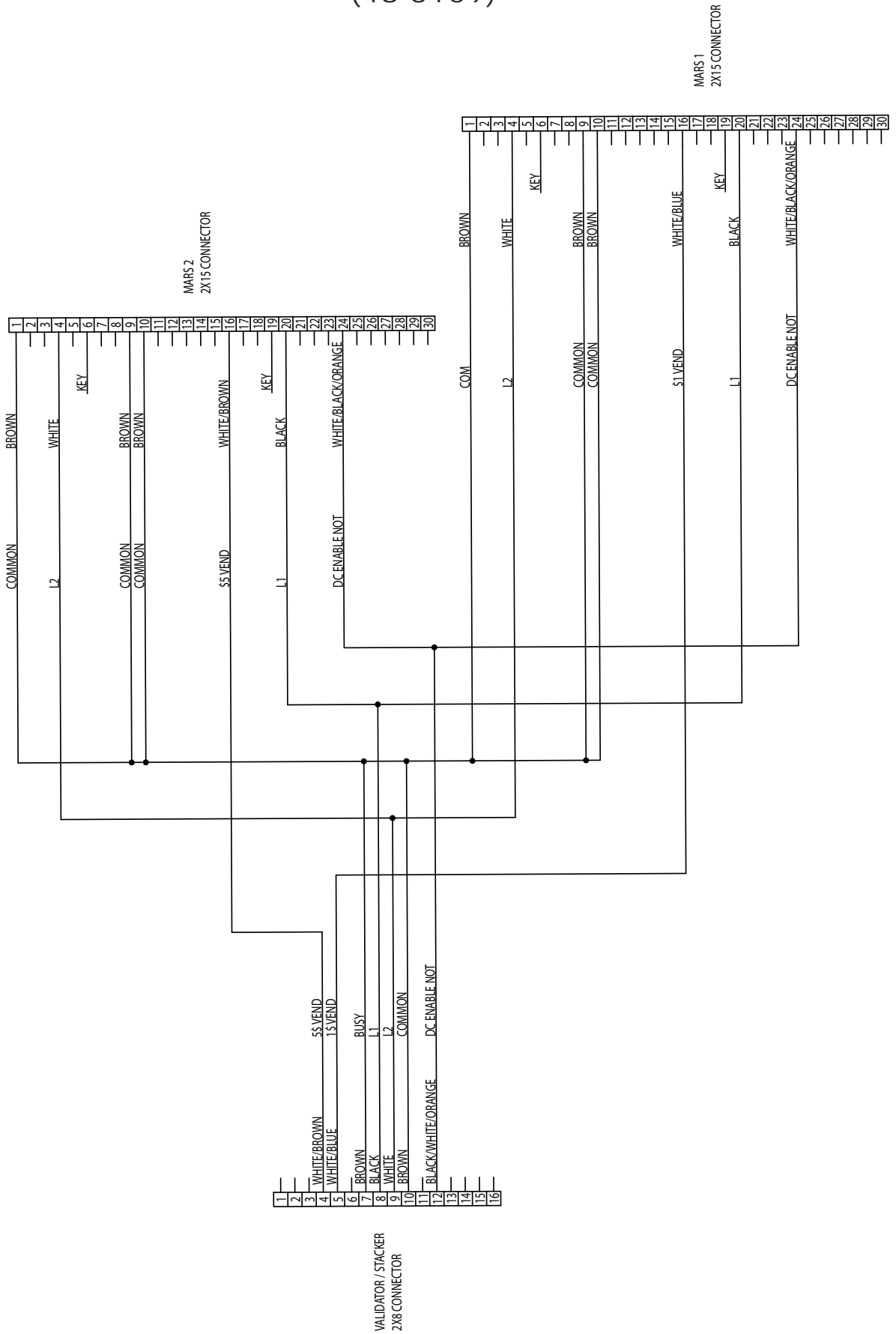
3600 XE/STACKER VALIDATOR HARNESS (48-3107)



3600 COINCO VALIDATOR HARNESS (48-3108)

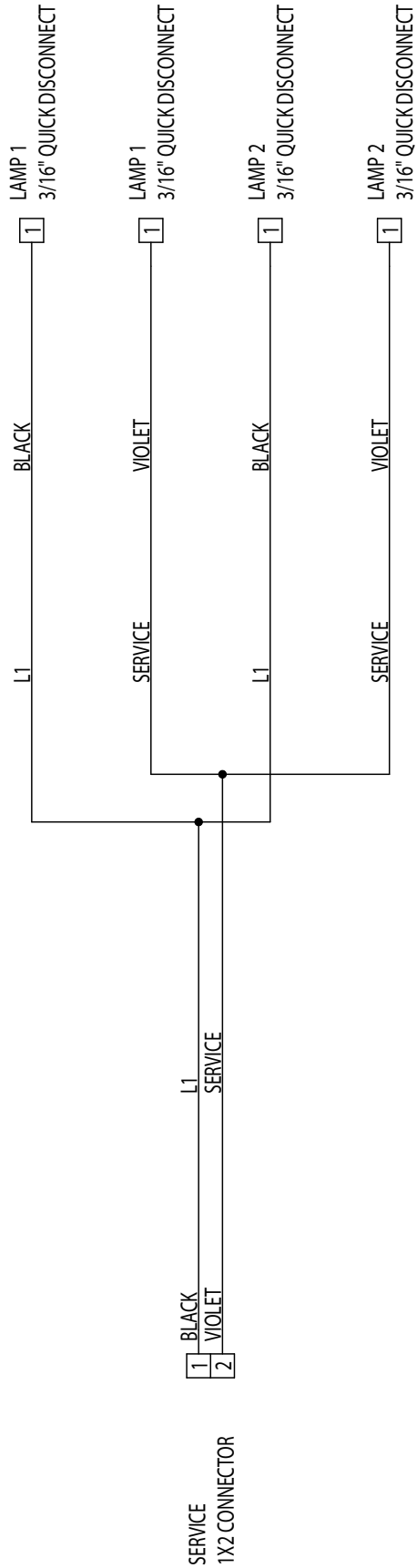


3600 MARS VALIDATOR HARNESS (48-3109)



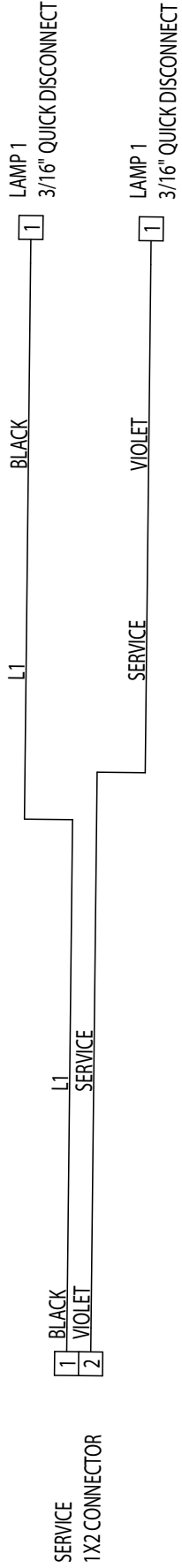
3600 SERVICE 2 CABLE

(48-3110)



3600 SERVICE 1 CABLE

(48-3111)



3600 D SUB EXTENSION

(48-3129)

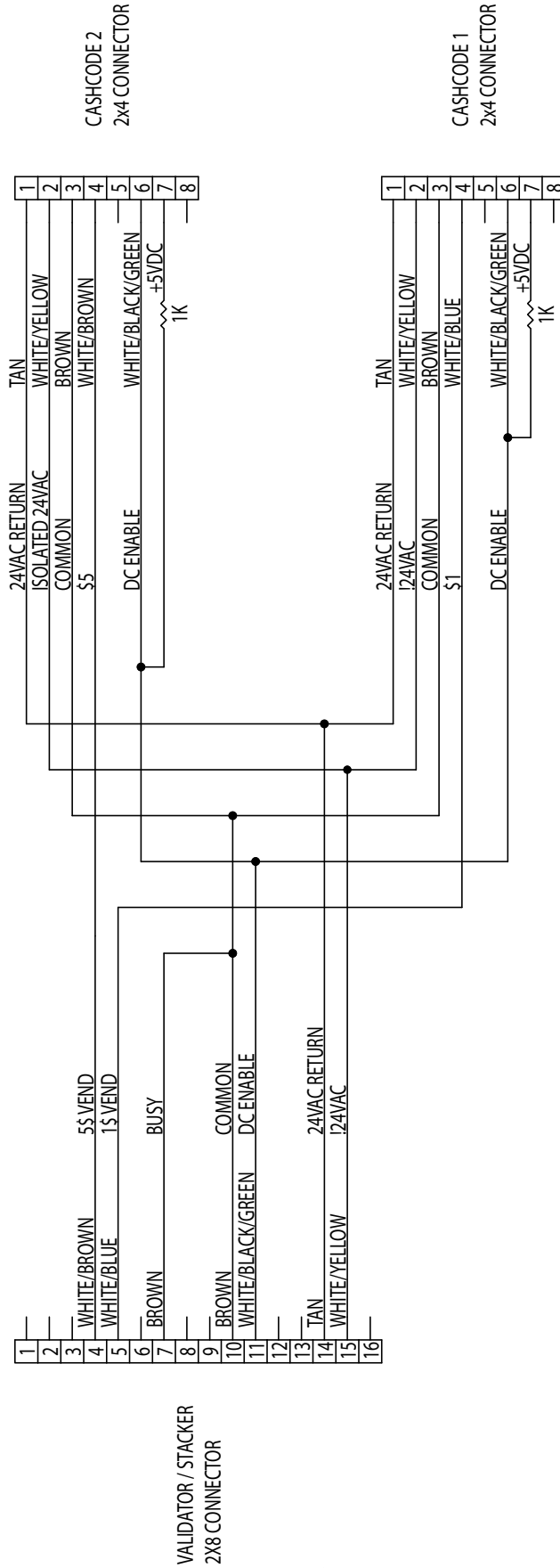
DB9
MALE

1	RED	TXD	TXD	RED	1
2	WHITE	RXD	RXD	WHITE	2
3					3
4	BLACK	COMMON	COMMON	BLACK	4
5					5
6					6
7	BROWN			BROWN	7
8					8
9					9

DB9
FEMALE

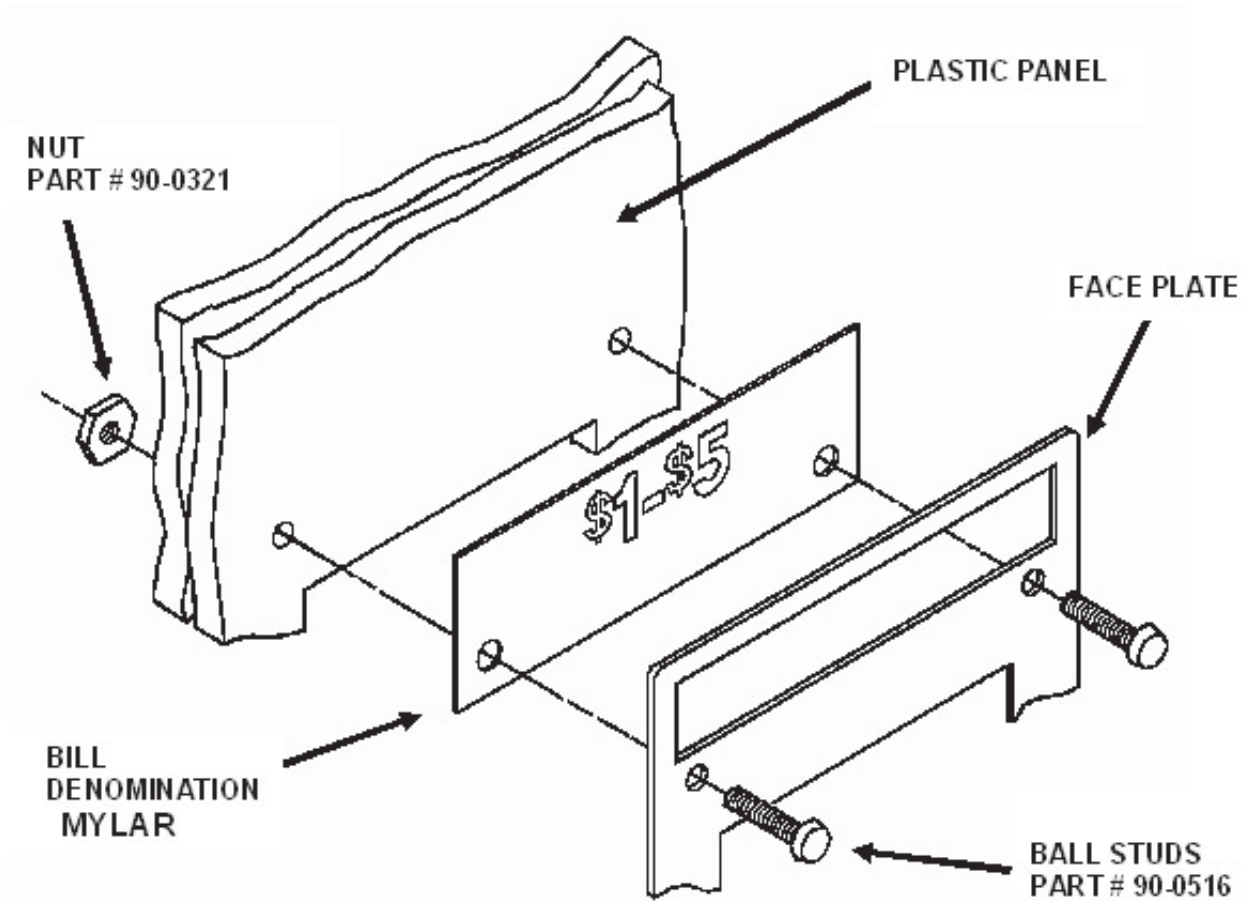
3600 CASHCODE VALIDATOR HARNESS

(48-3149)



Appendix A

Bill Denomination Mylar Installation Instructions



1. Loosen and remove the NUTS from the BALL STUDS.
2. Remove the BALL STUDS from the FACE PLATE.
3. Insert the BILL DENOMINATION MYLAR between the FACE PLATE and the PLASTIC PANEL until the holes in the BILL DENOMINATION MYLAR line up with the holes in the FACE PLATE.
4. Reinsert the BALL STUDS into the front of the FACE PLATE, through the BILL DENOMINATIN MYLAR and the PLASTIC PANEL.
5. Replace the NUTS on the BALL STUDS and tighten.

LIMITED WARRANTY AGREEMENT OF HAMILTON MANUFACTURING CORP.

Hamilton Manufacturing Corp., an Ohio Corporation, (“Seller”) warrants to Purchaser that all new equipment shall be free from defects in material and factory workmanship for a period of one (1) year from the original shipping date. Hamilton Manufacturing Corp. further warrants if any part of said new equipment in Seller’s sole opinion, requires replacement or repair due to a defect in material or factory workmanship during said period, Seller will repair or replace said new equipment. Purchaser’s remedies and the liabilities and obligations of Seller herein shall be limited to repair or replacement of the equipment as Seller may choose, and Seller’s obligation to remedy such defects shall not exceed the Purchaser’s original cost for the equipment. Purchaser EXPRESSLY AGREES this is the EXCLUSIVE REMEDY under this warranty. There are no other express or implied warranties which extend beyond the face hereof. All warranty repair service must be performed by either a Factory Trained Service Representative or **HAMILTON MANUFACTURING CORP., 1026 Hamilton Drive, Holland, Ohio 43528 PHONE (419) 867-4858 or (800) 837-5561, FAX (419) 867-4867.**

The limited warranty for new equipment is conditioned upon the following:

1. The subject equipment has not, in the Seller’s sole opinion, been subjected to: accident, abuse, misuse, vandalism, civil disobedience, riots, acts of God, natural disaster, acts of war or terrorism.
2. The Seller shall not be liable for any expense incurred by Purchaser incidental to the repair or replacement of equipment and Purchaser shall assume full responsibility for any freight or shipping charges.
3. The coverage of this warranty shall not extend to expendable parts.
4. Purchaser shall have a warranty registration card on file with Seller prior to any claim in order for warranty protection to apply.
5. No warranty coverage is applicable to any equipment used for currency other than that specified at the time of the purchase.
6. Seller expressly disclaims any warranty that counterfeit currency will not activate said equipment.
7. Seller expressly disclaims any warranty for any losses due to bill manipulation or theft or loss of cash under any circumstances.
8. Use of the equipment for anything other than its intended and designed use will void the Limited Warranty Agreement. Use of equipment for anything other than its intended and designed use includes, but is not limited to, downloading software/applications not certified by Seller such as e-mail, spyware, screen savers, viruses, worms, third party software, web search engines, cookies, spam, desktop applications, games, web surfing, etc.

Seller further warrants all repair or service work performed by a factory trained representative or Hamilton Manufacturing Corp. for a period of ninety (90) days from the date the repair or service work was performed. Purchaser’s remedies and the liabilities and obligations of Seller herein shall be limited to repair or replacement of equipment as Seller may choose, and Seller’s obligation to remedy such defects shall not exceed the Purchaser’s depreciated value of the equipment. Purchaser EXPRESSLY AGREES this is an EXCLUSIVE REMEDY under this warranty. There are no other express or implied warranties on repair or service work performed by a factory trained representative or Hamilton Manufacturing Corp. which extend beyond the face hereof.

The limited warranty for repair and service work is conditioned upon the following:

1. The subject equipment has not, in the Seller's sole opinion, been subjected to: accident, abuse, misuse, vandalism, civil disobedience, riots, acts of God, natural disaster, acts of war or terrorism.
2. The Seller shall not be liable for any expense incurred by Purchaser incidental to the repair or replacement of equipment and Purchaser shall assume full responsibility for any freight or shipping charges.
3. The coverage of this warranty shall not extend to expendable parts.
4. Purchaser shall have a warranty registration card on file with Seller prior to any claim in order for warranty protection to apply.
5. No warranty coverage is applicable to any equipment used for currency other than that specified at the time of the purchase.
6. Seller expressly disclaims any warranty that counterfeit currency will not activate said equipment.
7. Seller expressly disclaims any warranty for any losses due to bill manipulation or theft or loss of cash under any circumstances.
8. No person or entity other than a factory trained representative or Hamilton Manufacturing Corp. has performed or attempted to perform the subject repair or service.
9. Using equipment which has been serviced or repaired for anything other than its intended or designed use such as downloading software applications not certified by Seller will void the Limited Warranty Agreement. This includes software/applications such as e-mail, spyware, screen savers, viruses, worms, third party software, web search engines, cookies, spam, desktop applications, games, web surfing, etc.

THIS AGREEMENT IS MADE WITH THE EXPRESS UNDERSTANDING THAT THERE ARE NO IMPLIED WARRANTIES THAT THE EQUIPMENT SHALL BE MERCHANTABLE, OR THAT THE GOODS SHALL BE FIT FOR ANY PARTICULAR PURPOSE. PURCHASER HEREBY ACKNOWLEDGES THAT IT IS NOT RELYING ON THE SELLER'S SKILL OR JUDGMENT TO SELECT OR FURNISH EQUIPMENT SUITABLE FOR ANY PARTICULAR PURPOSE AND THAT THERE ARE NO WARRANTIES WHICH EXTEND BEYOND THAT WHICH IS DESCRIBED HEREIN.

The Purchaser agrees that in no event will the Seller be liable for direct, indirect, or consequential damages or for injury resulting from any defective or non-conforming new, repaired or serviced equipment, or for any loss, damage or expense of any kind, including loss of profits, business interruption, loss of business information or other pecuniary loss arising in connection with this Limited Warranty Agreement, or with the use of, or inability to use the subject equipment regardless of Seller's knowledge of the possibility of the same.

Hamilton Manufacturing Corporation

1026 Hamilton Drive
Holland, OH 43528

Sales Phone: (888) 723-4858 **Sales Fax:** (419) 867-4850
Customer Service Phone: (800) 837-5561 **Customer Service Fax:** (419) 867-4857
Parts Phone: (866) 835-1721 **Parts Fax:** (419) 867-4867

Website: <http://www.hamiltonmfg.com>

Email Addresses:

service@hamiltonmfg.com
sales@hamiltonmfg.com
parts@hamiltonmfg.com
info@hamiltonmfg.com